

COOLCABI : Compact, light weight

SLIM & SHORT type

Available with upgraded performance!

New release: April 2026!



OCA-H350BCS-AW2

OCA-H1100BCS-AW2

OCA-H550BCS-AW2

Key points

Improved cooling capacity

Up to
154 %※
improvement

Energy Efficiency (COP)

Up to
54 %※
energy saving

Energy Efficiency
= Cooling Capacity / Power Consumption

Wide range power supply

Rated voltage
200-240 VAC

Extended temperature range

Max.
55°C

※Compared to our previous models

Simply swap units for better cooling and efficiency

■ Model · Specification

Model	OCA-H350BCS-AW2	OCA-H550BCS-AW2	OCA-H1100BCS-AW2
Type of mounting	Lateral mounting		
Cooling capacity※1	320/350W	500/540W	1000/1100W
Rated voltage※2	Single phase 200 to 240VAC 50/60Hz		
Rated current consumption※3	200VAC	1.1/1.4A	1.2/1.5A
	220VAC	1.2/1.4A	1.3/1.6A
	240VAC	1.3/1.4A	1.5/1.6A
Max.current consumption※3	1.5/1.7A	1.8/1.9A	3.2/3.5A
	Starting current	4.8/4.3A	4.8/4.9A
Rated power consumption※3	200/240W	220/270W	400/440W
	220VAC	230/270W	260/300W
	240VAC	270/290W	310/340W
Max.power consumption※3	350/370W	400/430W	560/520W
Working temperature※4	+20°C to +55°C		
Working humidity	Not exceeding 85%RH, free from condensation		
Noise (Characteristic A)	58dB (A)	59dB (A)	61dB (A)
Temp. setting range※4	+30°C to +45°C (Initial setting +35°C)		
Display	Innter temperature/Alarm code/Operation lamp(Green)/Alarm lamp(Red)		
Function	Off-temperature alarm, Detection of abnormal heat dissipation, Detection of temperature sensor disconnection, Maintenance reminder, Forced cooling operation for inspection		
Alarm output	No-voltage contact output 1a x 2 (COMMON) 250VAC 2A 30VDC 2A		
Communication function	RS485 2-wire system (Modbus RTU)		
Vibration withstand	Vibration frequency 10 to 55Hz, Amplitude 0.15mm, Sweep cycle 10 times		
Protection category	Internal circuit IP54 equivalent		
Conformity of standards	RoHS2 TSCA		
Refrigerant	R1234yf (130g)	R1234yf (170g)	R1234yf (340g)
GWP※5	<1		
Color	Powder coating N8 corresponding, N4 corresponding		
Dimensions(mm)	W200×H590×D200	W350×H450×D215	W300×H730×D230
Weight	15.0kg	18.0kg	25.0kg

※1: Nominal value when both of internal and external temperatures are +35°C.

※2: The permissible voltage variation during operation is within +5% to -10% to the rated value, which means instantaneous variation and does not mean a supply voltage constantly input.

※3: Nominal values at 35°C temperature both inside and outside are indicated in "Rated" and values at 55°C outside and 35°C inside are indicated in "Max".

※4: Use only within the specified temperature range.

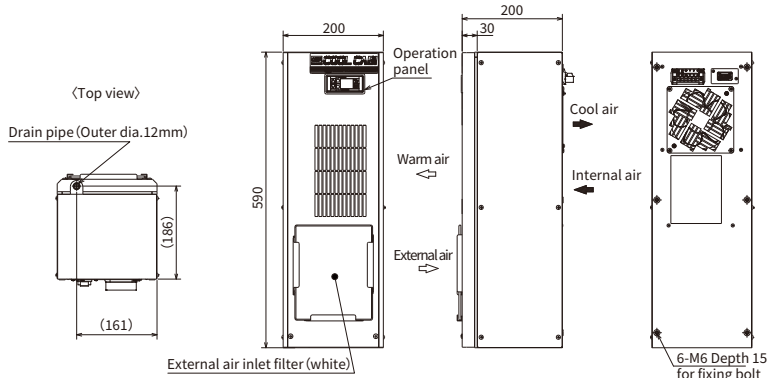
※5: By IPCC 5th Report 2013



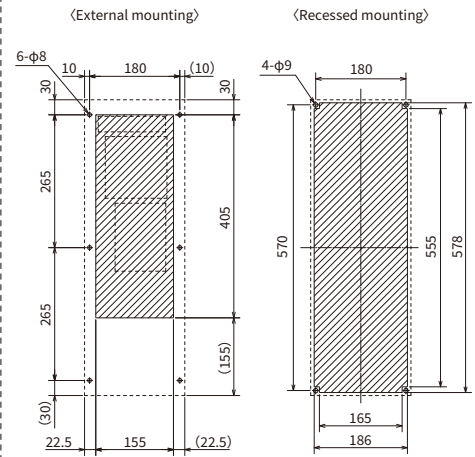
明日のために、ノンフロン

Dimensional drawing

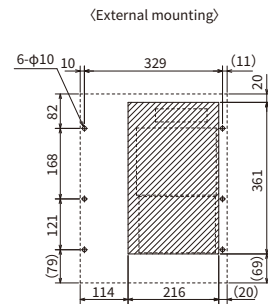
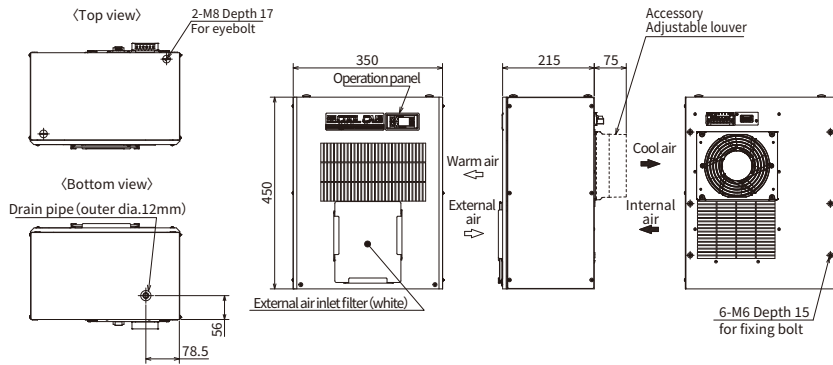
OCA-H350BCS-AW2



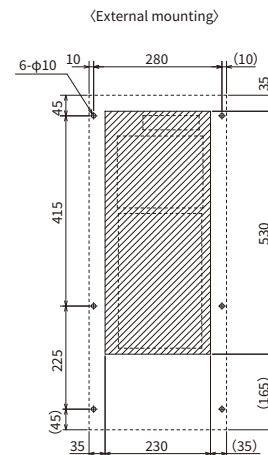
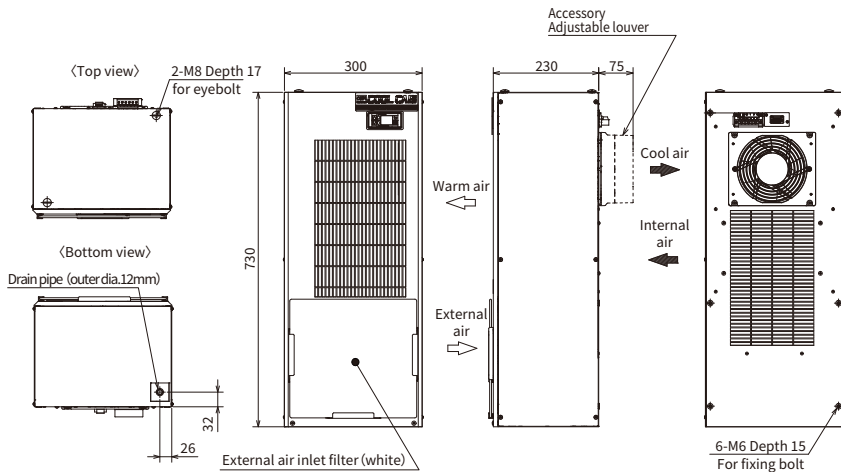
Mounting cutout



OCA-H550BCS-AW2



OCA-H1100BCS-AW2



For maintenance and optional parts, please check our website.

OHM Nonfluorocarbon [Click !!](#)

OHM ELECTRIC CO., LTD.

OHM ELECTRIC

7000-21 Nakagawa, Hosoe, Hamana-ku, Hamamatsu, Shizuoka, 431-1304 Japan
 TEL : +81-53-522-5562 FAX : +81-53-523-2362
 URL : <https://www.ohm.jp/> E-mail : info-cs@ohm.co.jp

- All products and specifications may change without notice for additions and betterments.
- Colors of the products may be slightly different from actual due to printing.