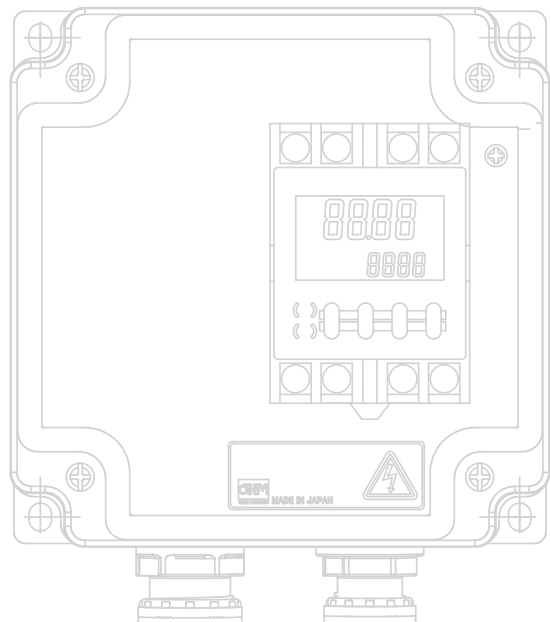

OIL MIST COLLECTOR

MISTCATCH

OPTION



Auto-cleaning unit	029
Options for OMC-N3	031
Options for OMC-11	033
Options for OMC-E3	035
Options for OMC-E21	037
Common options	039

Auto-cleaning unit for OMC-N

OMC-ATW-N2-AW

For longer maintenance cycle!
Water injection keeps the collection unit of OMC-N3 clean



■ Features

- Cleaning takes place with no interruption of mist collector's operation
- No air piping works required. Easy installation
- Control unit can be separately placed
- Applicable to wide voltage range from 100V to 240V AC
- Easy-to-read digital display



Digital display



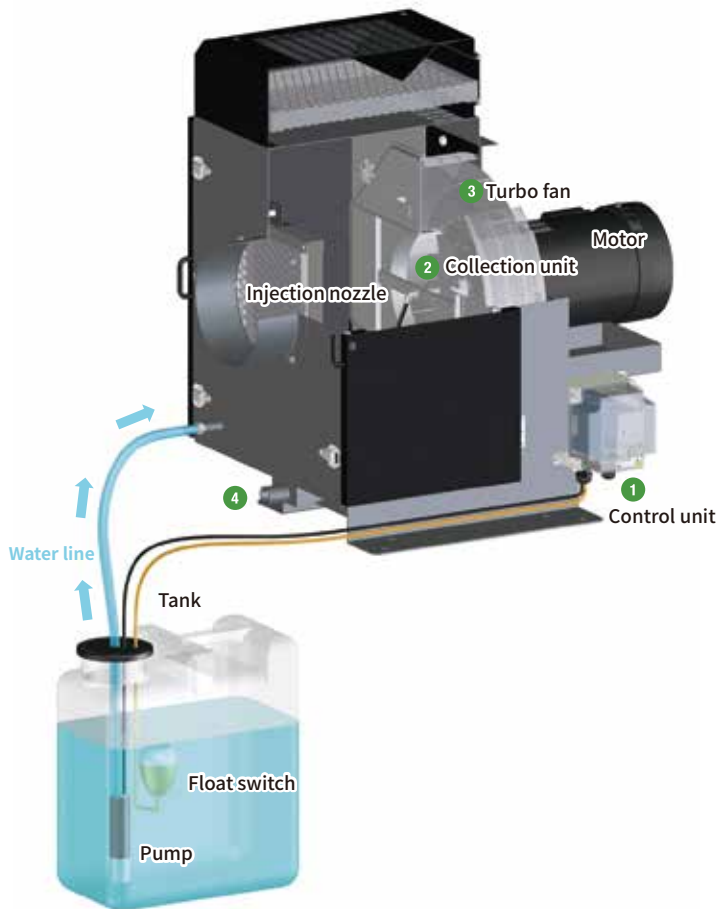
■ Model/Specifications

Model		OMC-ATW-N2-AW
Rated voltage		Single phase, 100 to 240V, 50/60Hz
Rated power consumption		Approx. 60W (during pump operation)
Working temperature		0 to 40°C
Working humidity		85% RH or less, free from condensation
Injection amount (at 1m lift)		Approx. 8 mL/sec.
Injection time (fixed)		0.5 sec.
Stand-by time		10 to 199 min. (Default 20 min.)
Max. lift height		3m
Washing liquid		Water (0 to +40°C, ice-free)
Water supply		by Tank (20L)
Operation		Timer operation (Default: Spraying water for 0.5 sec. every 20 minutes)
Environmental compliance		RoHS2
Power cable length		3m
Applicable models		OMC-N3** and OMC-N3**H
Dimensions (in mm)	Control unit *1	W135×H163×D120
	Tank	W360×H415×D206
Weight	Control unit *1	2.5kg
	Tank	1.5kg
Standard accessories		1 Ø 6mm tube (black) of 550mm long;, 1 tank of 20L, 1 Hose joint, 1 Check valve, 1 Quick joint 1 Hose band, 1 Injection nozzle, 2 screws of M4x15 , 1 Instruction manual

Remarks: *1 Pump, Float switch and Power cable are excluded.

See page 41 for cautions.

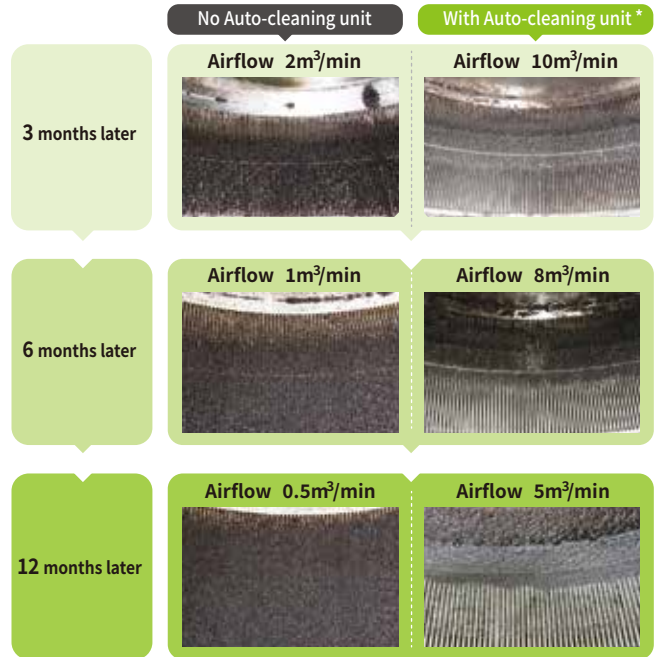
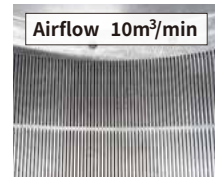
■ System configuration



■ Verification of use effect

Test conditions

- OMC-N310H
- Workpiece: Aluminum
- Cutting oil: Water-soluble
- Operating time: 20 hrs/day
- Lifting height: 3m



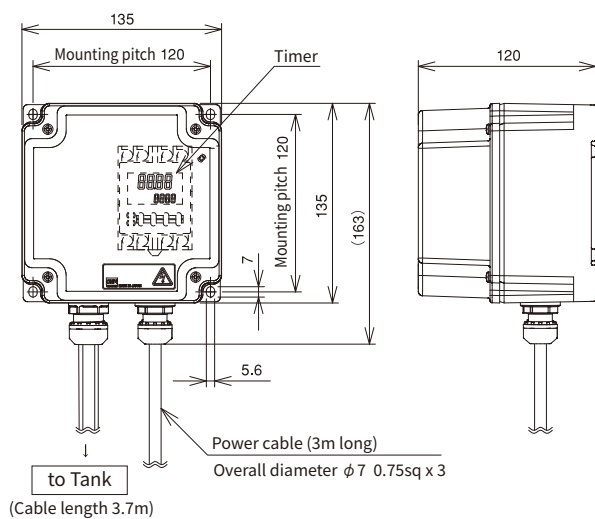
*Operation time of Auto-cleaning unit: 0.5 sec. every 20 minutes

■ Mechanism

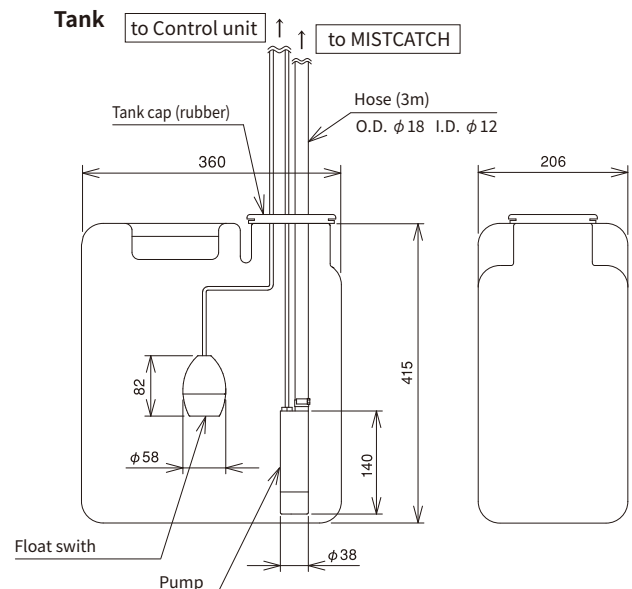
- 1 The pump is activated according to the time setting of the control unit to feed water in the tank to the MISTCATCH.
- 2 Water is sprayed from the center part of Collection Unit of MISTCATCH.
- 3 Turbo Fan accelerates the speed of water droplets to collide them against the inner wall of Collection Unit.
- 4 With periodical water injection, dirt accumulation in the Collection Unit is prevented.

■ Dimensional drawing

Control unit

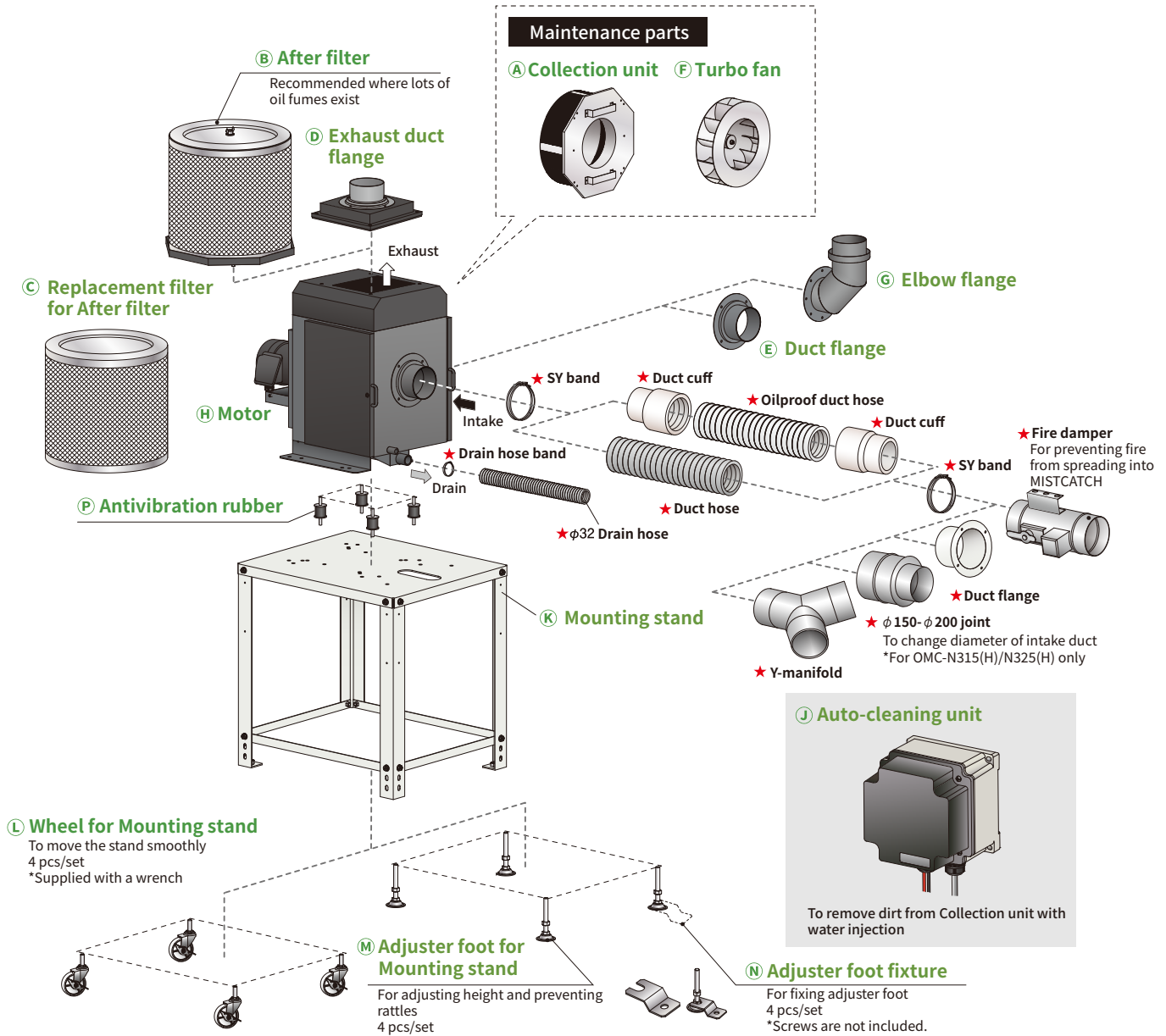


Tank



OPTION 1

Option for OMC-N3 series



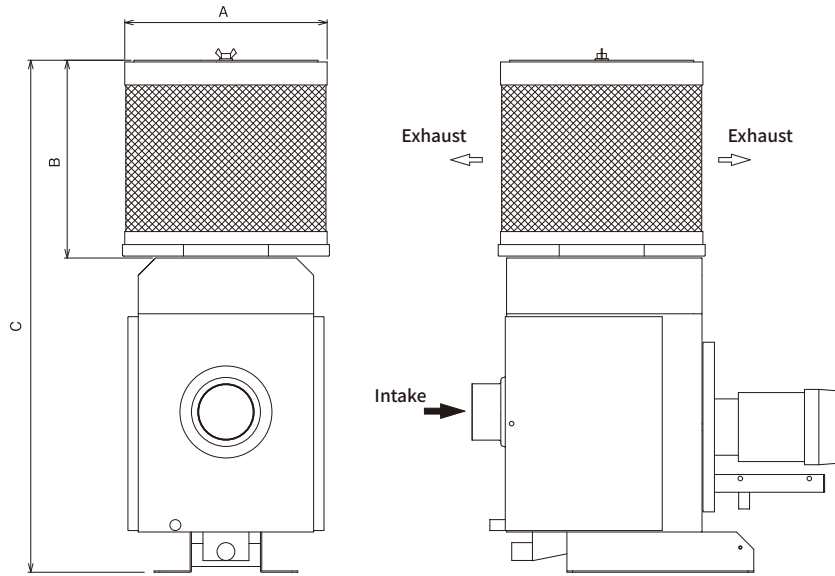
Option list

See page 39 for the options marked with ★.

Part name	Part number							
	OMC-N305	OMC-N305H	OMC-N310	OMC-N310H	OMC-N315	OMC-N315H	OMC-N325	OMC-N325H
A Collection unit	OMC-N305-CU12	OMC-N305-CU11	OMC-N205-CU12	OMC-N310-CU11	OMC-N210-CU12	OMC-N210-CU11	OMC-N215-CU12	OMC-N215-CU11
B After filter	OMC-N310-F40				OMC-N315-F40		OMC-N325-F40	
C Replacement filter for AF	OMC-AF-335L				OMC-AF-500L			
D Exhaust duct flange	OMC-N305-HDF100		OMC-N310-HDF125		OMC-N315-HDF150		OMC-N325-HDF200	
E Duct flange	OMC-N305-DF100		OMC-N310-DF125		OMC-N315-DF150		OMC-N325-DF200	
F Turbo fan	OMC-N305-TF1		OMC-N310-TF1		OMC-N315-TF1		OMC-N325-TF1	
G Elbow flange	OMC-N305-EF100		OMC-N310-EF125		OMC-N315-EF150		OMC-N325-EF200	
H Motor	OMC-N305-M20		OMC-N205-M40		OMC-N210-M75		OMC-N215-M150	
J Auto-cleaning unit	OMC-ATW-N2-AW							
K Mounting stand	OMC-PDS01							
L Wheel for mounting stand	OMC-PDS01-CAS							
M Adjuster foot for mt. stand	OMC-PDS01-AJF							
N Adjuster foot fixture	OMC-PDS01-AJF-ST							
P Antivibration rubber	OMC-N2-BG01							

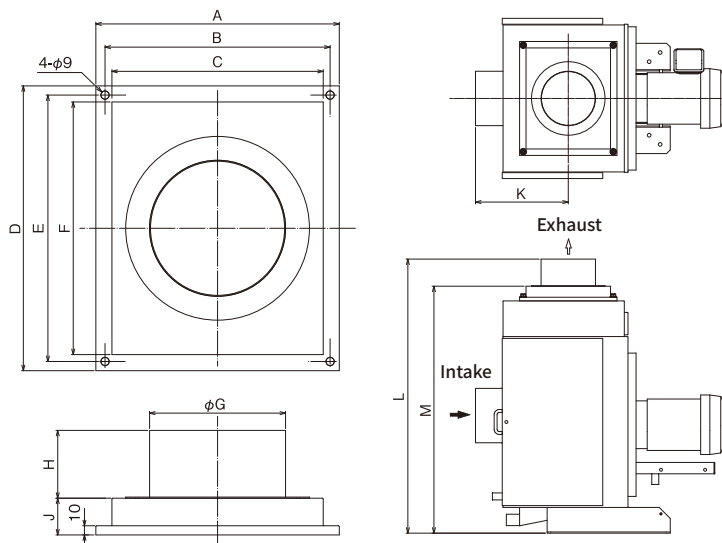
■ Dimensional drawing

Ⓑ After filter



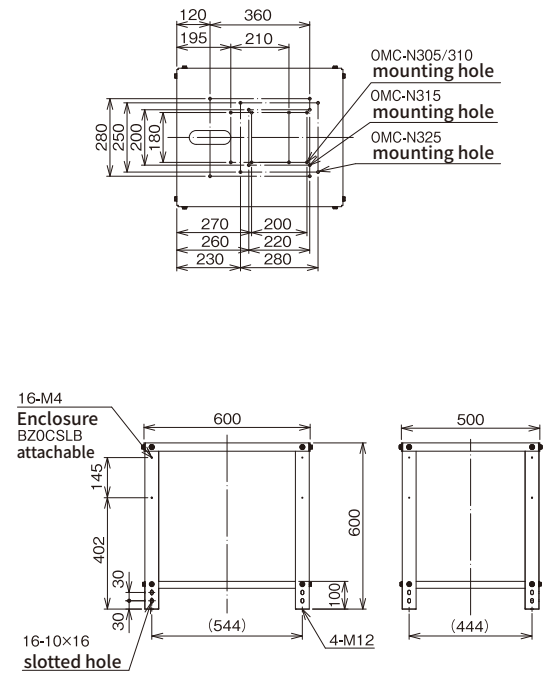
Part number	A	B	C
OMC-N310-F40	352	353	899.5
OMC-N315-F40	352	521.5	1153.5
OMC-N325-F40	352	521.5	1281.5

Ⓓ Exhaust duct flange

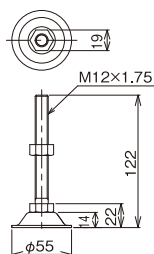


Part number	A	B	C	D	E	F	G	H	J	K	L	M
OMC-N305-HDF100	225	205	190	225	205	190	98	60	40	225.5	650.5	590.5
OMC-N310-HDF125	225	205	190	225	205	190	123	60	40	225.5	650.5	590.5
OMC-N315-HDF150	265	245	230	310	290	275	148	74	40	252.5	746	672
OMC-N325-HDF200	330	304	280	390	364	340	198	75	50	275	885	810

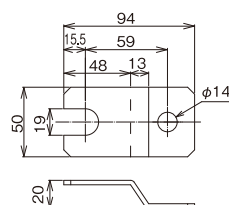
Ⓚ Mounting stand



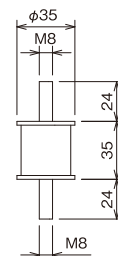
Ⓜ Adjuster foot for Mounting stand



Ⓝ Adjuster foot fixture

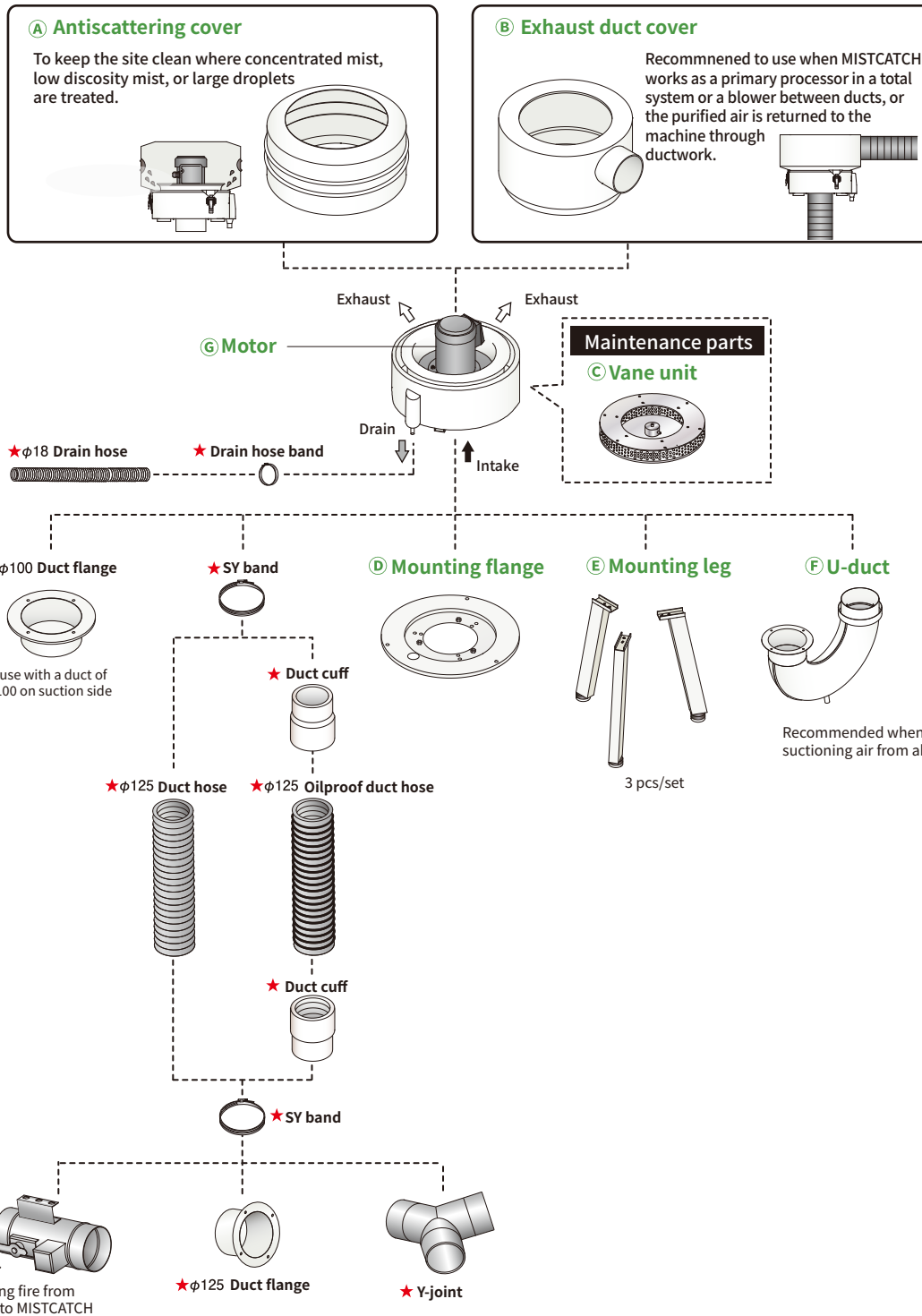


Ⓞ Antivibration rubber



OPTION 2

Option for OMC-11



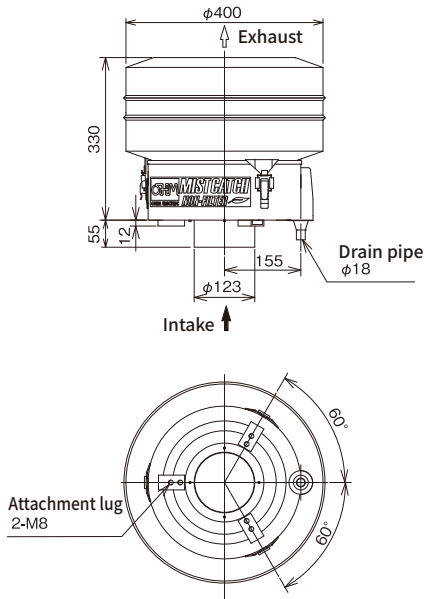
Option list

See page 39 for the options marked with ★.

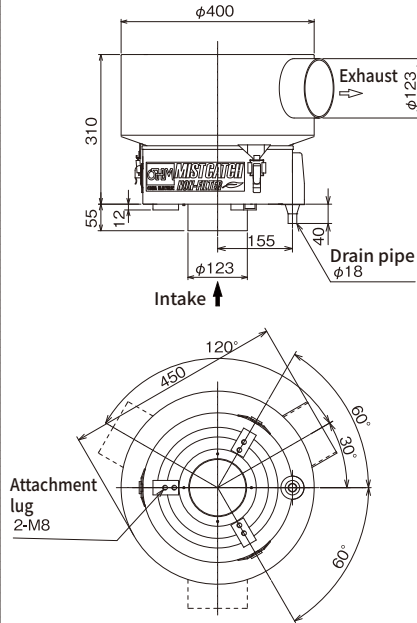
	Part name	Part number
A	Antiscattering cover	OMC-027-4X
B	Exhaust duct cover	OMC-027-5X1
C	Vane unit	OMC-026-1
D	Mounting flange	OMC-028-1
E	Mounting leg	OMC-024-2
F	U-duct	OMC-020-2
G	Motor	OMC-M01

■ Dimensional drawing

Ⓐ Antiscattering cover

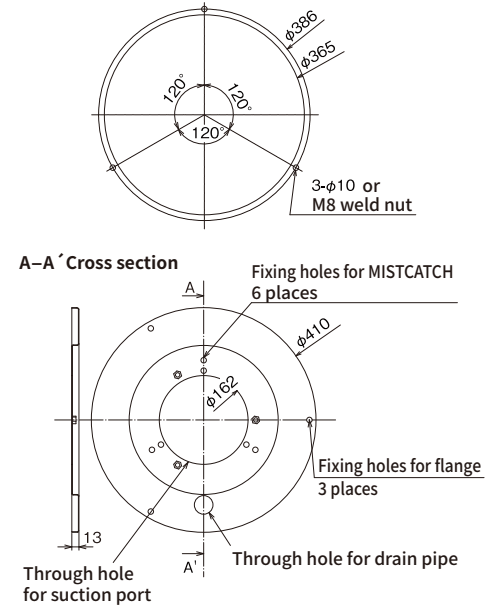


Ⓑ Exhaust duct cover



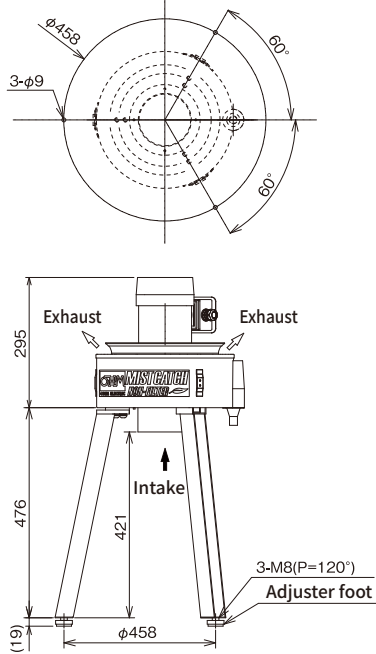
Ⓓ Mounting flange

■ Cutout drawing

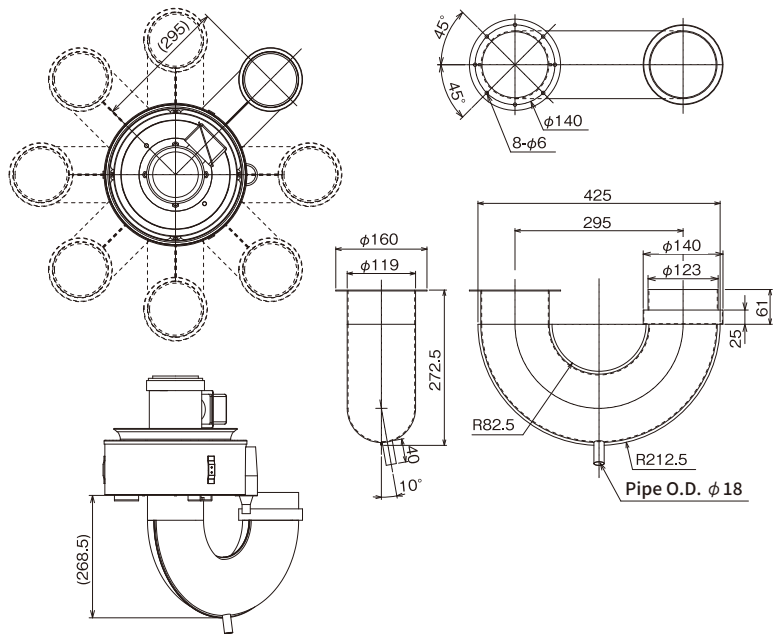


Ⓔ Mounting leg

■ Cutout drawing (view from above)



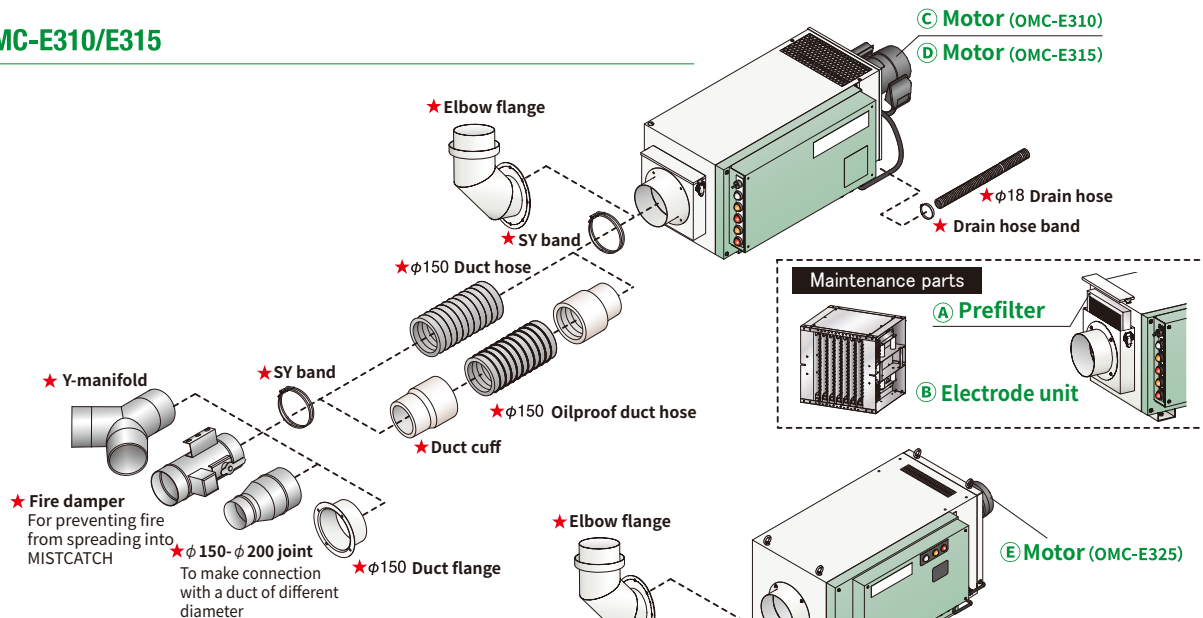
Ⓕ U-duct



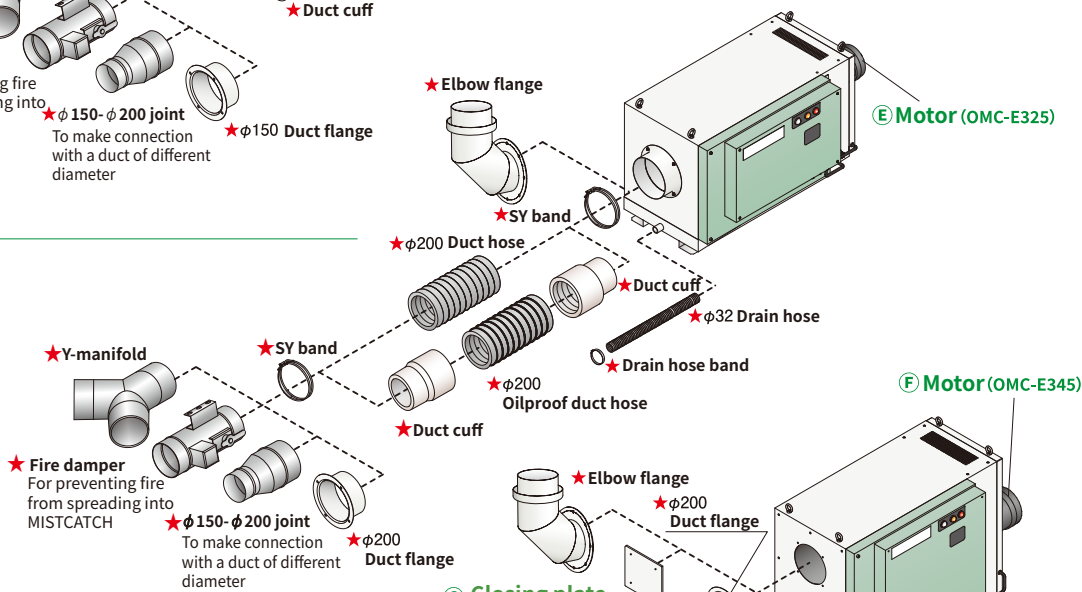
OPTION 3

Option for OMC-E3

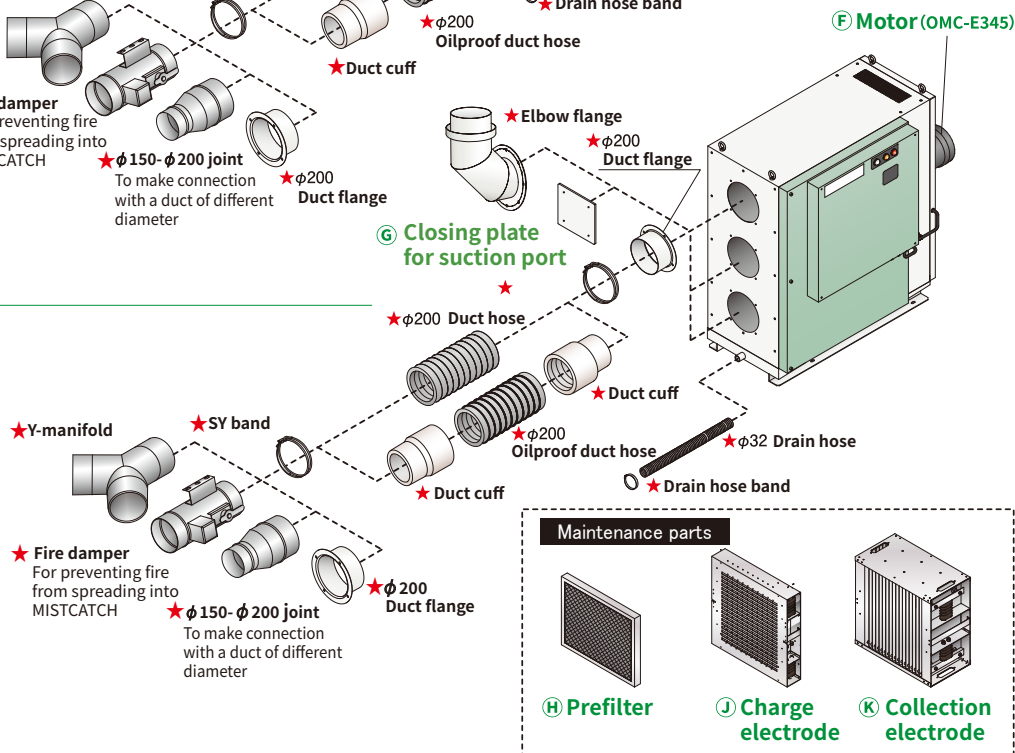
OMC-E310/E315



OMC-E325



OMC-E345



Option list

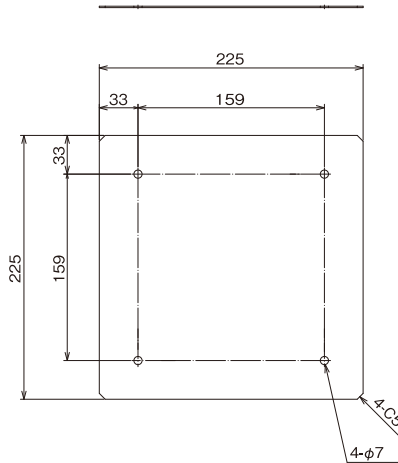
See page 39 for the options marked with ★.

Part name	Part number
A Prefilter	OMC-E043-1
B Electrode unit	OMC-E026-1
C Motor for OMC-E310	OMC-M01
D Motor for OMC-E315	OMC-N205-M40
E Motor for OMC-E325	OMC-N210-M75

Part name	Part number
F Motor for OMC-E345	OMC-N215-M150
G Closing plate for suction port	OMC-E047-1
H Prefilter	OMC-E046-1
J Charge electrode	OMC-E044-1
K Colection electrode	OMC-E045-1

■ Dimensional drawing

⑥ Closing plate for suction port



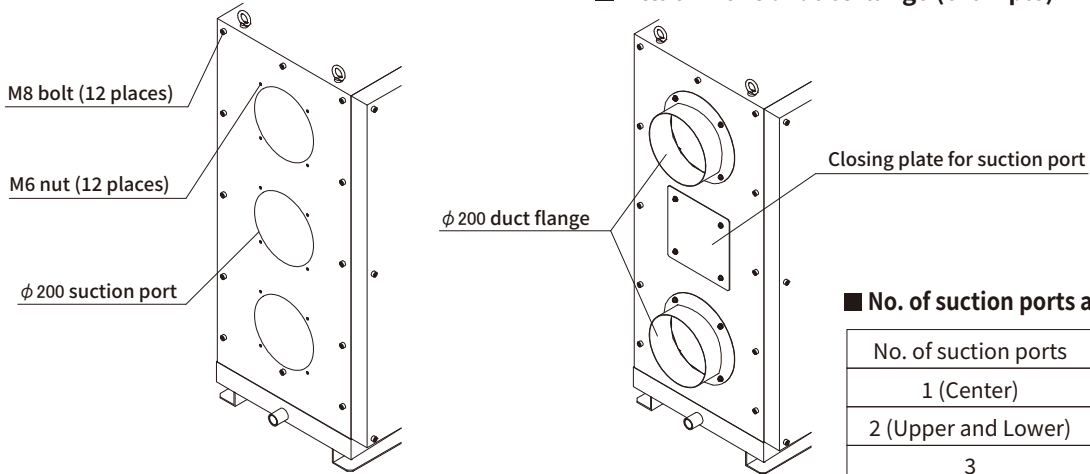
● Intake piping for OMC-E345

OMC-E345 has three suction ports of $\phi 200$ to provide up to three duct hose connections as necessary. No duct flanges are provided for these ports. Please purchase the necessary number of $\phi 200$ duct flanges (P/N OMC-DF200) for hose connection.

For fixing duct flange(s) or closing unused port(s), 12 pcs. of M6 screws are necessary (not included in the supply). When you fabricate an original duct flange like an example illustrated below, secure it with 12 pcs. of M8 bolts using the holes provided.

It is recommended to seal around the jointed parts for leak prevention.

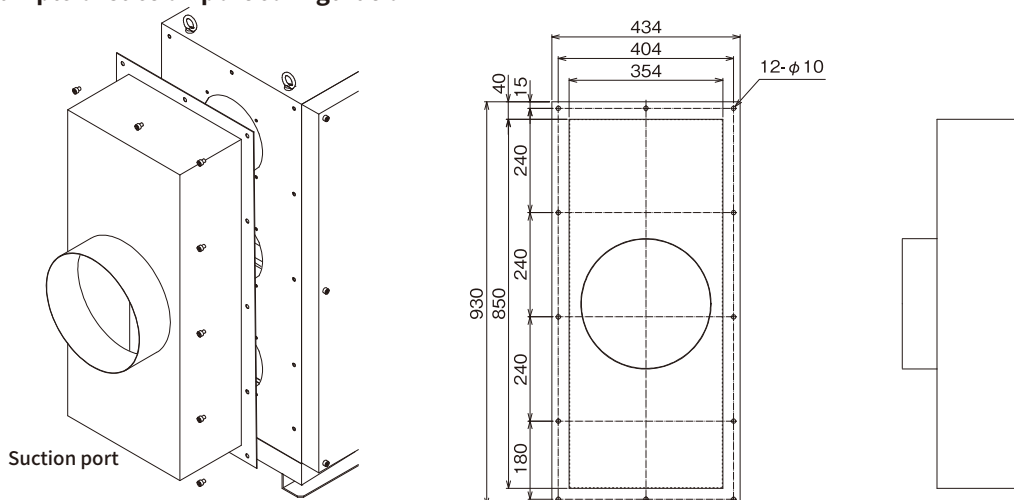
■ Attachment of duct flange (example)



■ No. of suction ports and the maximum airflow

No. of suction ports	Max. airflow (50/60 Hz)
1 (Center)	32/39 m ³ /min
2 (Upper and Lower)	40/45 m ³ /min
3	40/45 m ³ /min


■ Example of suction port configuration



OPTION 4

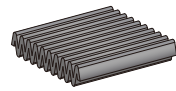
Option for OMC-E21

A Deodorant filter box




Activated carbon in the filter powerfully eliminates odors.

B Replacement deodorant filter

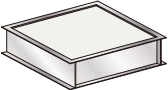


C Exhaust filter box



Fine particles passed through the preceding process are caught by this filter.

D Replacement exhaust filter



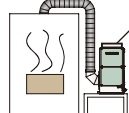
Refill filter only

● Deodorising power (at the exhaust port of OMC-E21)

[Comparison of odor intensity]

Odor source	Odor intensity
Odor source	4.5
Exhaust port with no filter	3.0
Exhaust port with a deodorant filter	1.5

Odor reduces to 50%



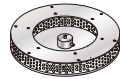
Deodorant filter

Ref. Odor intensity scale

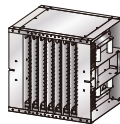
0	No odor
1	Almost imperceptible
2	Very weak
3	Easily perceptible
4	Strong
5	Very strong

Maintenance parts

E Vane unit

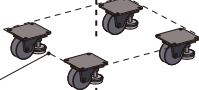


F Electrode unit



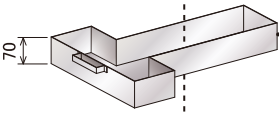
G Wheels with adjuster foot

To move MISTCATCH easily without rattling
4 pcs/set
incl. fixing bolts

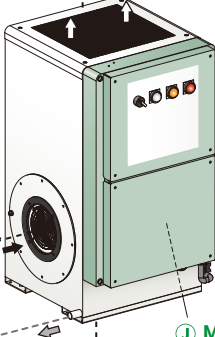


H Drain pan

To be used in combination with "G Wheels with adjuster foot"



J Motor



★ $\phi 100$ Duct flange
To make connection to $\phi 100$ duct

★ Elbow flange

★ $\phi 125$ Duct hose

★ SY band

★ Duct cuff

★ Drain hose band

★ $\phi 125$ Oilproof duct hose

★ $\phi 18$ Drain hose

★ Y-manifold

★ Fire damper
For preventing fire from spreading into MISTCATCH

★ $\phi 125$ Duct flange

Option list

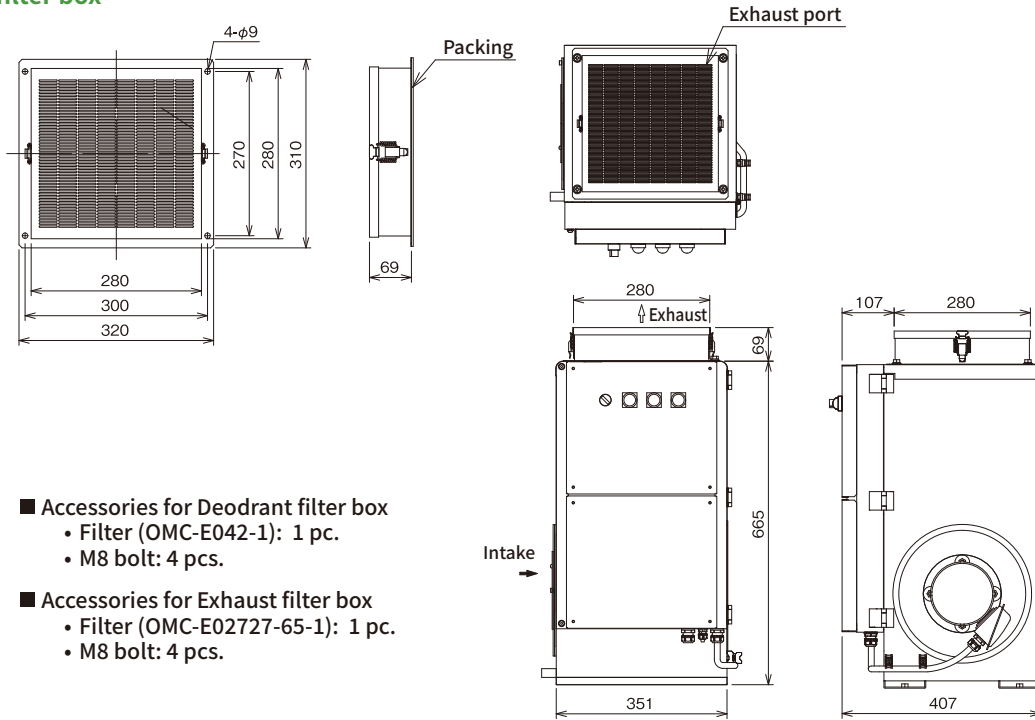
See page 39 for the options marked with ★.

Part name	Part number
A Deodorant filter box	OMC-E041-1
B Replacement deodorant filter	OMC-E042-1
C Exhaust filter box	OMC-E040-1
D Replacement exhaust filter	OMC-E2727-65-1
E Vane unit	OMC-026-1
F Electrode unit	OMC-E026-1
G Wheels with adjuster foot	OMC-E033-1
H Drain pan	OMC-E032-1
J Motor	OMC-M01

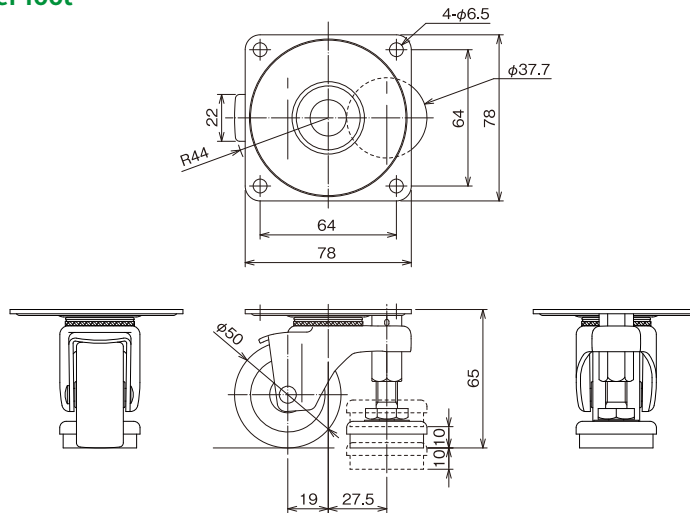
■ Dimensional drawing

Ⓐ Deodrant filter box

Ⓒ Exhaust filter box



Ⓔ Wheels with adjuster foot

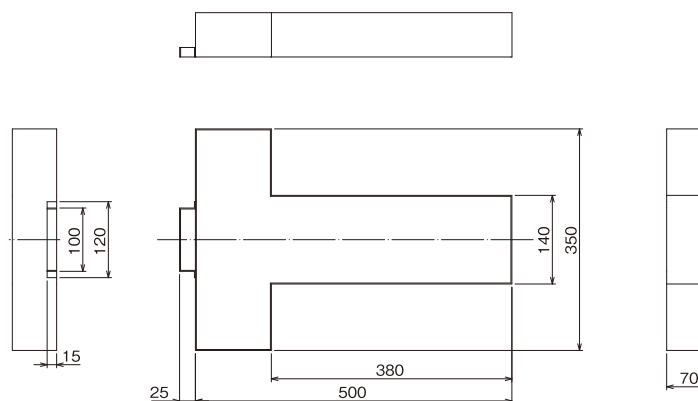


4 pcs/set

■ Accessories

- Bolt: 4 pcs.
- Washer: 4 pcs.
- Spring washer: 4 pcs.

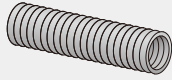

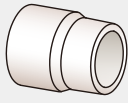


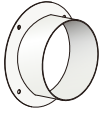
Ⓕ Drain pan



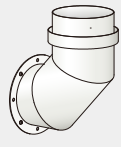
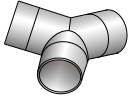
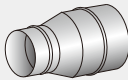
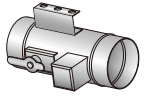

OPTION 5

Common option

Compatibility table

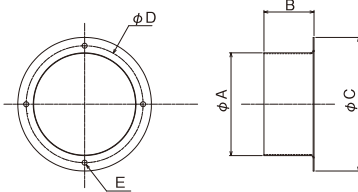
Image	Part name	Part number	Specification	N305 (H)	N310 (H)	N315 (H)	N325 (H)	11	E310	E315	E325	E345	E21	F105 A	F110 A	F120 A		
	Duct hose	OMC-DH100-EMB	φ 100×10m	○										○				
		OMC-DH125-EMB	φ 125×10m		○			○						○		○		
		OMC-DH150-EMB	φ 150×10m			○			○	○							○	
		OMC-DH200-EMB	φ 200×10m				○					○	○					
	Oilproof duct hose	OMC-DH100-T1	φ100×1m	○										○				
		OMC-DH100-T2	φ100×2m	○											○			
		OMC-DH100-T3	φ100×3m	○											○			
		OMC-DH100-T4	φ100×4m	○											○			
		OMC-DH100-T5	φ100×5m	○											○			
		OMC-DH100-T10	φ100×10m	○											○			
		OMC-DH100-T30	φ100×30m	○											○			
		OMC-DH125-T1	φ125×1m		○				○						○		○	
		OMC-DH125-T2	φ125×2m		○				○						○		○	
		OMC-DH125-T3	φ125×3m		○				○						○		○	
		OMC-DH125-T4	φ125×4m		○				○						○		○	
		OMC-DH125-T5	φ125×5m		○				○						○		○	
		OMC-DH125-T10	φ125×10m		○				○						○		○	
		OMC-DH125-T20	φ125×20m		○				○						○		○	
		OMC-DH150-T1	φ150×1m				○			○	○							○
		OMC-DH150-T2	φ150×2m				○			○	○							○
		OMC-DH150-T3	φ150×3m				○			○	○							○
		OMC-DH150-T4	φ150×4m				○			○	○							○
		OMC-DH150-T5	φ150×5m				○			○	○							○
		OMC-DH150-T10	φ150×10m				○			○	○							○
		OMC-DH150-T20	φ150×20m				○			○	○							○
		OMC-DH200-T1	φ200×1m					○				○	○					
		OMC-DH200-T2	φ200×2m					○				○	○					
		OMC-DH200-T3	φ200×3m					○				○	○					
		OMC-DH200-T4	φ200×4m					○				○	○					
		OMC-DH200-T5	φ200×5m					○				○	○					
		OMC-DH200-T10	φ200×10m					○				○	○					
		OMC-DH200-T20	φ200×20m					○				○	○					
	Duct cuff for Oilproof duct hose	OMC-CFS100	φ100	○										○				
		OMC-CFS125	φ125		○			○						○		○		
		OMC-CFS150	φ150			○			○	○							○	
		OMC-CFS200	φ200				○				○	○						
	SY band	OMC-HB100-SY	φ100	○										○				
		OMC-HB125-SY	φ125		○			○						○		○		
		OMC-HB150-SY	φ150			○			○	○							○	
		OMC-HB200-SY	φ200				○				○	○						
	Drain hose band	OMC-HB025	φ16~25					○	○	○				○	○	○		
		OMC-HB050	φ25~40	○	○	○	○				○	○						
	Duct flange	OMC-DF100	φ100(Duct) 4-φ6 90°φ140 (Mtg.hole)					○						○				
		OMC-DF125	φ125(Duct) 4-φ6 90°φ140 (Mtg.hole)					○						○				
		OMC-DF150	φ150(Duct) 4-φ6 90°φ175 (Mtg.hole)						○	○								
		OMC-DF200	φ200(Duct) 4-φ8 90°φ225 (Mtg.hole)								○	○						

Compatibility table

Image	Part name	Part number	Specification	N305 (H)	N310 (H)	N315 (H)	N325 (H)	11	E310	E315	E325	E345	E21	F105 A	F110 A	F120 A	
	Elbow flange	OMC-EF100	φ100(Duct) 8-φ6 45°φ140 (Mtg.hole)										○				
		OMC-EF125	φ125(Duct) 8-φ6 45°φ140 (Mtg.hole)											○			
		OMC-EF150	φ150(Duct) 8-φ6 45°φ175 (Mtg.hole)						○	○							
		OMC-EF200	φ200(Duct) 8-φ8 45°φ225 (Mtg.hole)									○	○				
	Y-manifold	OMC-Y100	φ100	○										○			
		OMC-Y125	φ125		○				○					○		○	
		OMC-Y150	φ150			○				○	○						○
		OMC-Y150-100	φ150×1·φ100×2			○				○	○						○
		OMC-Y200-125	φ200×1·φ125×2				○					○	○				
	φ 150-φ 200 joint	OMC-J200	φ150-φ200			○	○		○	○	○	○				○	
	Fire damper	FDB100KX	φ100	○										○			
		FDB125KX	φ125		○				○					○		○	
		FDB150KX	φ150			○				○	○						○
		FDB200KX	φ200				○					○	○				
	Drain hose	OMC-MDH1802	φ18×2m						○	○	○			○	○	○	
		OMC-MDH1805	φ18×5m						○	○	○			○	○	○	
		OMC-MDH1810	φ18×10m						○	○	○			○	○	○	
		OMC-MDH3202	φ32×2m		○	○	○	○				○	○				
		OMC-MDH3203	φ32×3m		○	○	○	○				○	○				
		OMC-MDH3205	φ32×5m		○	○	○	○				○	○				
		OMC-MDH3210	φ32×10m		○	○	○	○				○	○				
	Washing agent	Super Alsat K79		○	○	○	○		○	○	○	○	○				

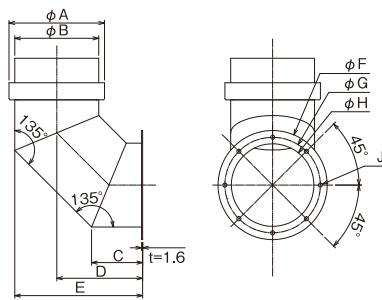
Dimensional drawing

Duct flange



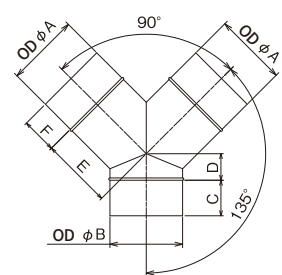
Part number	A	B	C	D	E
OMC-DF100	98	60	160	140	4-φ6
OMC-DF125	123	60	160	140	4-φ6
OMC-DF150	148	75	200	175	4-φ6
OMC-DF200	198	75	250	225	4-φ8

Elbow flange



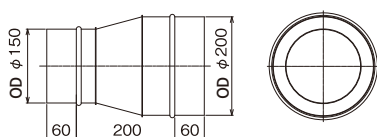
Part number	A	B	C	D	E	F	G	H	J
OMC-EF100	120	98	55	105	154	160	140	96	8-φ6
OMC-EF125	140	123	100.5	126	187.5	160	140	121	8-φ6
OMC-EF150	170	148	95	170	245	200	175	145	8-φ6
OMC-EF200	220	198	105	171	270	250	225	195	8-φ8

Y-manifold

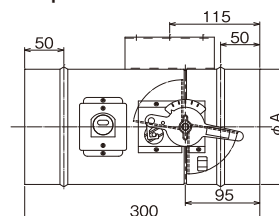


Part number	A	B	C	D	E	F
OMC-Y100	98	98	60	40	100	60
OMC-Y125	123	123	60	45	120	60
OMC-Y150	148	148	60	50	124	60
OMC-Y150-100	98	148	60	55	151	60
OMC-Y200-125	123	198	60	75	215	60

φ 150-φ 200 joint



Fire damper



Part number	A
FDB100KX	97
FDB125KX	122
FDB150KX	147
FDB200KX	197



Cautions

Non-fitter oil mist collectors

- For proper usage, read the instruction manual carefully before use.
- This product is intended for collecting general watersoluble and oil-based mist that generates in production process by machine tools. Never have it inhale the following substances.
 - Ignition sources and fire sparks generated in machine processing
 - Flammable substances such as gasoline, thinner, benzene, kerosene and others as well as oil and cleaning liquid with an ignition point 80 degrees C or below
 - Explosive substances such as aluminium, magnesium and titan as well as materials ridden with those substances
 - Flammable liquid, mist and materials ridden with these substances
 - Corrosive and adhesive substances and hazardous gas or air with a lot of unusual substances
 - Large amount of dust or cutting chips
 - Hot air exceeding 80°C.
 - Large amount of liquid
 - Substances that remarkably accelerate rusting of metals or aging of plastics
- This product should not be used in an atmosphere which contains chlorine, sulfuric or fluorine gasses, oxalic acid, xylene, or methyl tetrachloride and the like.
- Use this product within the temperature range from 0°C to +40°C and humidity not exceeding 85%RH (no condensation).
- Indoor use only. The altitude of the site of use should be lower than 1000 m.
- The site of use should be free from vibration or impact.
- Electrical works for power connection and repairs should be done by professionals only.
- Electrical connection should be made via an appropriate circuit breaker.
- Do not operate the product with its terminal box uncovered. Failure to this can lead to electrical shock or leak.
- Never touch the motor while MISTCATCH is in operation. Do not put your fingers or foreign matters in the rotating part of the turbo fan.
- Never carry MISTCATCH being attached to a machine or a mounting stand. Avoid impact, vibration and excessive load during transportation. Failure to this can reduce product life or lead to abnormal noise or product damage.
- Precision apparatuses should not be arranged near the exhaust port where fine particles may fall on.
- Make sure that the packaging is not damaged on delivery. In case any damage is found, please contact your supplier.
- Tampering or repairing the product should be strictly avoided. Please contact us for repairing service.

Electrostatic oil mist collectors

- For proper usage, read the instruction manual carefully before use.
- This product is intended for collecting general watersoluble and oil-based mist that generates in production process by machine tools. Never have it inhale the following substances.
 - Ignition sources and fire sparks generated in machine processing
 - Flammable substances such as gasoline, thinner, benzene, kerosene and others as well as oil and cleaning liquid with an ignition point 80°C or below
 - Explosive substances such as aluminium, magnesium and titanium as well as materials ridden with those substances,
 - Flammable liquid, mist and materials ridden with these substances
 - Corrosive and adhesive substances and hazardous gas or air with a lot of unusual substances
 - Large amount of dust or cutting chips
 - Hot air exceeding 40°C.
 - Large amount of liquid
 - Substances that remarkably accelerate rusting of metals or aging of plastics
- This product should not be used in an atmosphere which contains chlorine, sulfuric or fluorine gases, oxalic acid, xylene, or methyl tetrachloride and the like.
- Use this product within the temperature range from 0°C to +40°C and humidity not exceeding 85%RH (no condensation).
- Indoor use only. The altitude of the site of use should be lower than 1000 m.
- The site of use should be free from vibration or impact.
- Do not use this product in a small closed space.
- Electrical works for power connection and repairs should be done by professionals only.
- Electrical connection should be made via an appropriate circuit breaker.
- Do not use an inverter output as the power supply.
- Do not operate MISTCATCH uncovering its electric part. Failure to this can lead to electrical shock or leak.
- Never touch the motor while MISTCATCH is in operation. Do not put your fingers or foreign matters in the rotating part of the turbo fan.
- Never carry MISTCATCH being attached to a machine or a mounting stand. Avoid impact, vibration and excessive load during transportation. Failure to this can reduce product life or lead to abnormal noise or product damage.
- Maintenance intervals differ depending on the amount or the components of oil mist.
- Precision apparatuses should not be arranged near the exhaust port where fine particles may fall on.
- Make sure that the packaging is not damaged on delivery. In case any damage is found, please contact your supplier.
- Tampering or repairing the product should be strictly avoided. Please contact us for repairing service.

Auto-cleaning unit for OMC-N

- For proper usage, read the instruction manual carefully before use.
- Do not use this product in locations where it is heavily affected by vibration or impact.
- Use this product within the temperature range from 0°C to +40°C and humidity not exceeding 85%RH (no condensation).
- Supply voltage should be within the range from 100V to 240V AC.
- Electrical connection should be made via an appropriate circuit breaker.
- This product is intended to be used with MISTCATCH OMC-N2 and OMC-N3 series.
- Use one unit per one MISTCATCH. Connecting to two or more mist collectors may result in product failure.
- Electrical works required for installation should be done by professionals or qualified persons only.
- Make sure that the packaging is not damaged on delivery. In case any damage is found, please contact your supplier.

Distributor _____



OHM ELECTRIC CO., LTD.

7000-21, Nakagawa, Hosoe, Hamana-ku, Hamamatsu, Shizuoka 431-1304, JAPAN
TEL +81-53-522-5562 FAX +81-53-523-2362
E-mail : info-cs@ohm.co.jp

www.ohm.jp/



Please read the provided instruction manual carefully before use.
- Actual colors may vary from the pictures shown in this catalog due to printing restrictions.
- The contents of this catalog are subject to change without prior notice for product improvements.
-- The contents of this catalog are as of June 2024.