

# Panel Lock DOORLOCK

**discontinued  
September 2013**

Fast, easy to use, locking mechanism for opening and securing doors and lids on various service panels  
WITHOUT a KEY Space saving design and easy to install.

## ► Features

- ▶ To open, simply use flat screw driver
- ▶ Once open, just close the door to latch automatically.
- ▶ No special keys are required.
- ▶ Easy to install.



## ► Applications

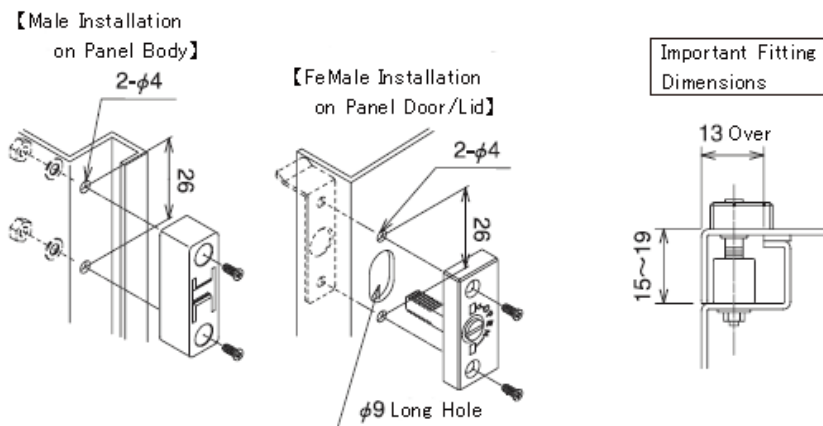
- ▶ To secure doors and lids on electrical service panels, electrical distribution boxes, electrical control panels, measurement equipment panels.

## ► Specifications

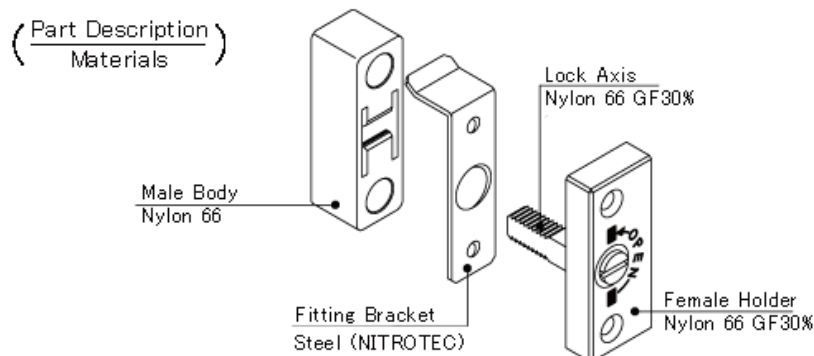
Model		Applicable Door /Lid Weight	Applicable Door /Lid Widthy	Lock/Unlock Durability	Tensile Strength	Working temperature	Weight	Q'ty per Package
for Flat Drive Use	DL-05Z	2kg or less	150 to 250mm	3,000	220N (22.5kgf)	-5 to +50°C	18g	1 pcs/ package

## ► Instructions

Installation as illustrated below.



## ► Materials



## ► Cautions for use and storage

- ▲ Read the instruction manual carefully before use for proper usage.
- ▲ Use and storage of these products in the following conditions is not recommended.
  - In acidic or organic solvent (chloride ethyl, chloride methyl, cresol etc.) environment.
  - In damp and salty atmospheres or where ozone is present.
  - Consult us, prior to use, with any special application questions.