

# OMC-N105-CE/OMC-N110-CE/OMC-N115-CE

## ▶ Specifications

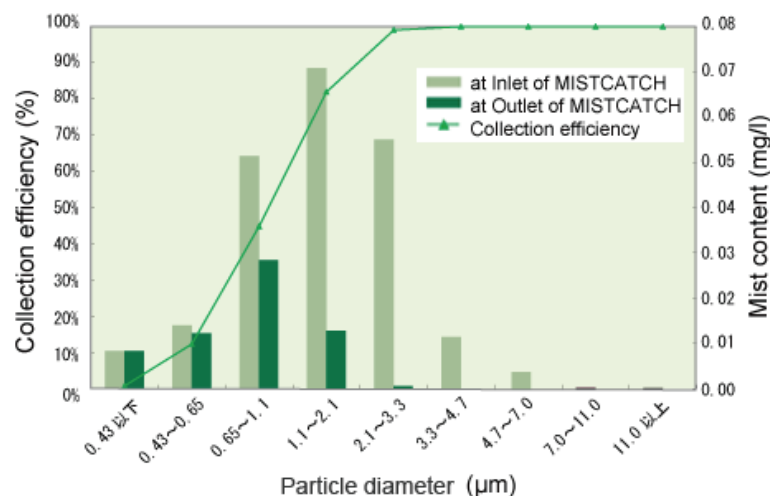
Model	OMC-N105-CE	OMC-N110-CE	OMC-N115-CE
Rated voltage	Three phase, 200VAC/200-220VAC		
Rated motor output	0.25kW (2P)	0.7kW (2P)	1.44kW (2P)
Rated current consumption ※1	1.5/1.3A	3.1/3.0-2.7A	5.7/5.6-5.2A
Max. air throughput	4.2/5m <sup>3</sup> /min	8/10m <sup>3</sup> /min	14/16.5m <sup>3</sup> /min
Max. static pressure	0.67/0.92kPa	1.41/1.91kPa	2.02/2.77kPa
Noise (at 1 m distance)	66dB (A)	72dB (A)	74dB (A)
Collection efficiency	No less than 99% (For particles of 2 μm dia. or larger, Gravimetric method)		
Working temperature	0 to + 40 deg. C		
Working humidity	Under 85%RH , free from condensation		
Max. temperature of inhaling air	+ 50 deg. C		
Safety circuit	Motor with internal thermal protector (contact output)		
Suction port diameter	98mm	123mm	148mm
Surface finish	Powder coating Ivory (10GY9/1 equivalent) and Green (10GY8/4equivalent)		
Weight	25.0kg	36.0kg	50.0kg
Standard accessory	<ul style="list-style-type: none"> <li>• Drain hose 18mm dia. 2 m</li> <li>• Drain hose 32mm dia. 2 m</li> <li>• Drain hose band 2 pcs.</li> <li>• Anti-vibration rubber 4 pcs.</li> <li>• Instruction manual 1 copy</li> </ul>		
Safety/Environmental standard	CE/RoHS		

Rated frequency (50/60Hz)

※ 1. This is the measured value at 25 deg. C.

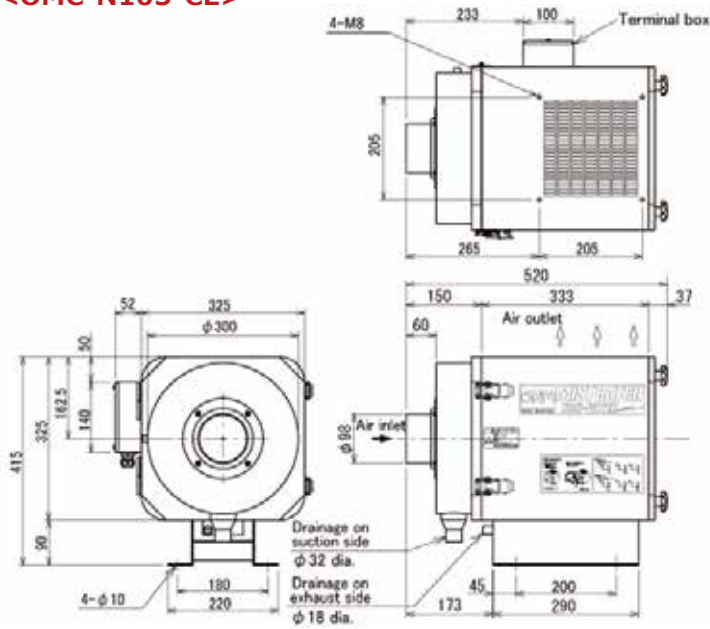
## ▶ Collection efficiency (for water-insoluble cutting oil)

Measurement by Low Volume Air Sampler AN-200 type

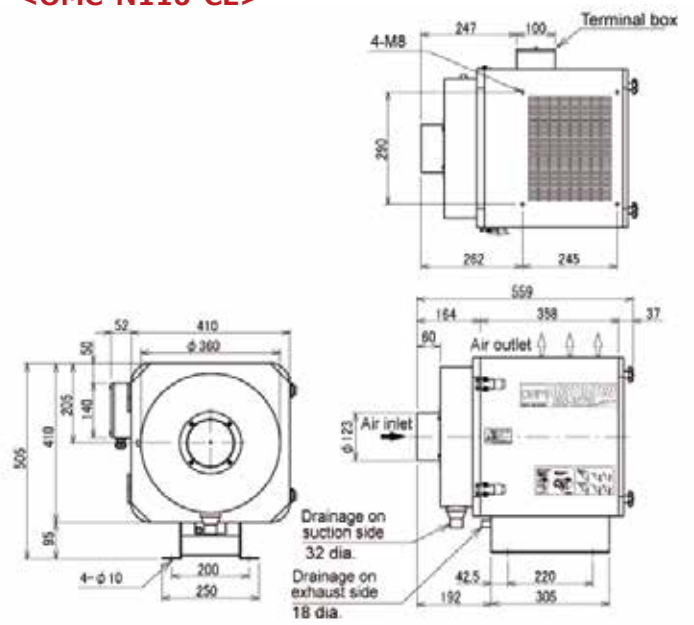


▶ Outline drawing (in mm)

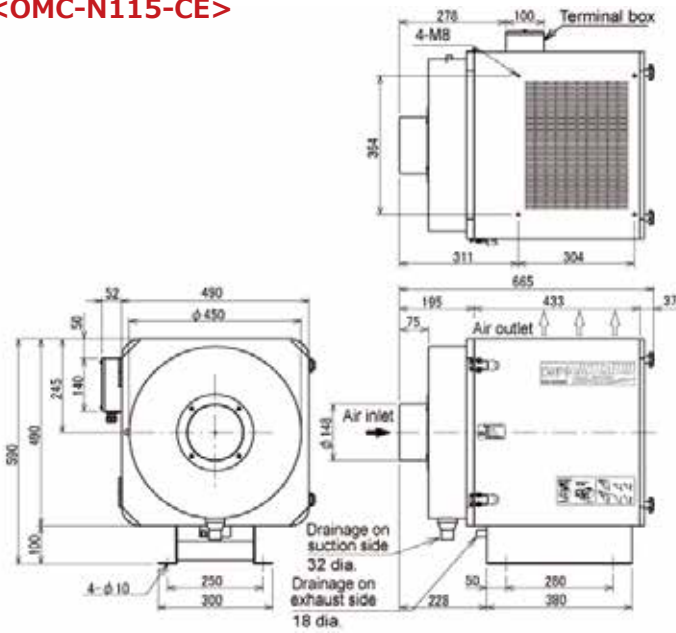
<OMC-N105-CE>



<OMC-N110-CE>

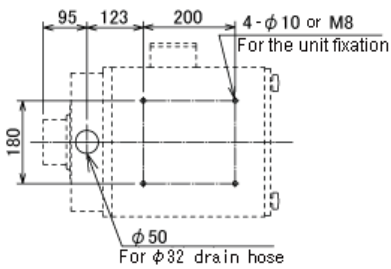


<OMC-N115-CE>

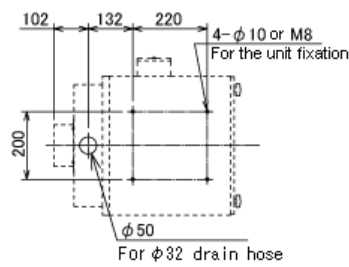


▶ Mounting hole processing (in mm)

<OMC-N105-CE>



<OMC-N110-CE>



<OMC-N115-CE>

