

Enclosure heat exchanger "BOX FAN"

Compact OC-1010HI/OC-1020HI

► Specifications

Model	OC-1010HI	OC-1020HI
Type of mounting	Partially internal mounting	
Cooling output ※1	8/10 W/K (50/60Hz)	
Rated voltage ※2	Single phase 100VAC ± 10%	Single phase 200VAC ± 10%
Rated current ※3	0.52/0.50A or less	0.26A/0.25A or less
Power consumption ※3	40W	
Working temperature	-20°C to +70°C	
Working humidity	20%RH to 85%RH (Free from condensation)	
No. of fan motor	2	
Electrical connection	Terminal block	
Safety/Environmental standard	-	
Dimensions (in mm)	W173 × H374 × D98.5	
Weight	4.5kg	

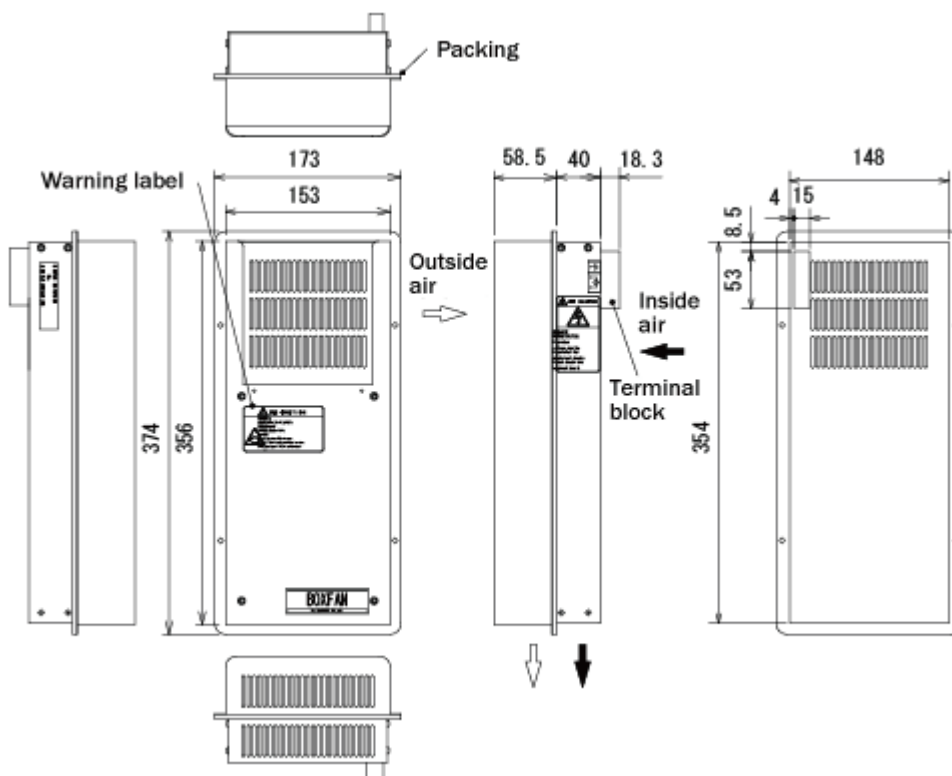
※ 1. Nominal value when the temperature difference between inside and outside the control panel is 20K.

※ 2. The voltage fluctuation should be within 10% from the rated value.

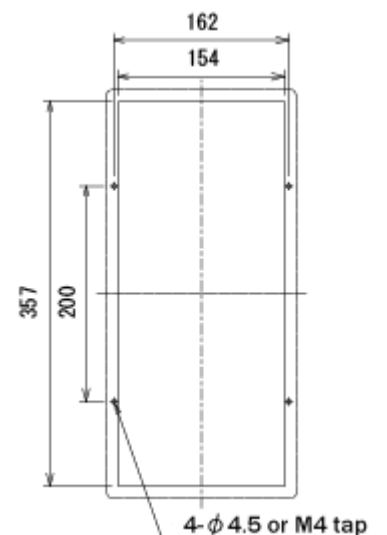
※ 3. Values based on our measurement. (temperature +25°C、humidity 50%RH)

※ 4. Excluding the terminal block

► Dimensions (in mm)



► Mounting cutout



► Consumable parts

BOX FAN Model	Filter	Fan
OC-1010HI	OF-10HI(5 pcs./1SET)	FM-1010HI
OC-1020HI		FM-1020HI

Enclosure heat exchanger "BOX FAN"

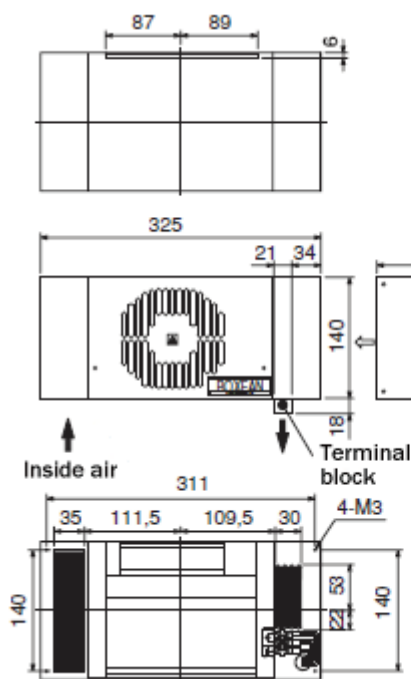
Compact OC-1210A/OC-1220A

► Specifications

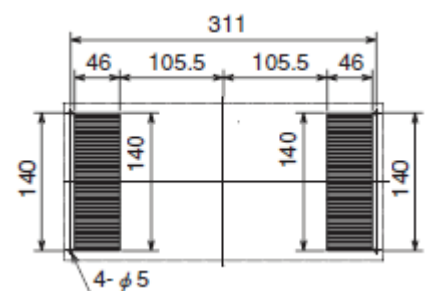
Model	OC-1210A	OC-1220A
Type of mounting	External roof mounting	
Cooling output ※1	10/12 W/K (50/60Hz)	
Rated voltage ※2	Single phase 100VAC ± 10%	Single phase 200VAC ± 10%
Rated current ※3	0.49/0.46A or less	0.25A/0.23A or less
Power consumption ※3	36/35W	
Working temperature	-20°C to +70°C	
Working humidity	20%RH to 85%RH (Free from condensation)	
No. of fan motor	2	
Electrical connection	Terminal block	
Safety/Environmental standard	-	
Dimensions (in mm)	W325 × H140 × D160	
Weight	3.5kg	

- ※ 1. Nominal value when the temperature difference between inside and outside the control panel is 20K.
- ※ 2. The voltage fluctuation should be within 10% from the rated value.
- ※ 3. Values based on our measurement. (temperature +25°C、humidity 50%RH)
- ※ 4. Excluding the terminal block

► Dimensions (in mm)



► Mounting cutout



► Consumable parts

BOX FAN Model	Filter	Fan
OC-1210A	OF-12A(5 pcs./1SET)	FM-1210AIN(IN) FM-1210AOUT(OUT)
OC-1220A		FM-1220AIN(IN) FM-1220AOUT(OUT)