

# Discontinued products

## CAPCON OA-W Metallic Slim

Discontinued  
March 2010

For cable management in narrow spaces. Various applications in wiring of small electric motors, sensors and measurement instruments.

### ► Features

- Easy to install in small spaces
- Available from oilproof and weatherproof types to meet your environment requirement.
  - Choose oilproof models in only atmosphere
  - Choose weatherproof models for outdoor use

Note: Weatherproof models are also recommended for indoor use if they are not exposed to oil.
- IP67 compliant protective structure



### ► Applications

- For cable exits of small motors, sensors and probe heads
- For cable exits from the panel of measurement instruments.
- For any other applications in limited spaces

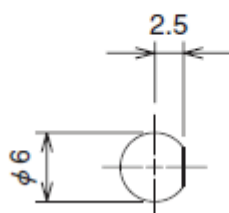
### ► Identification of model

OA - W08M - 06

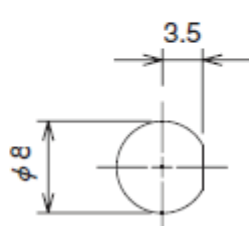


### ► D-cut Stopper Dimensions (in mm)

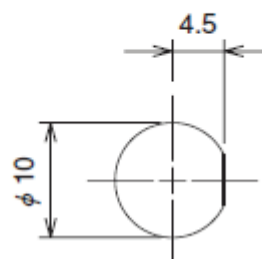
<OA-W06M-04>



<OA-W08M-06>



<OA-W10M-08>



### ► Specifications

Model	Applicable Cable Diameter (mm)	Entry Hole Diameter (mm)	Threads	Mounting Plate Thickness	Working temperature	Weight (※1)	Q'ty per Package
OA-W04M-25	ø2 to 2.5	ø4	M4 P=0.5	2mm or less	-25 to +100°C	3g	10 pcs/ package
OA-W06M-04	ø3.5 to 4	ø6	M6 P=0.5 (D-cut)			4g	
OA-W08M-06	ø5.5 to 6	ø8	M8 P=0.5 (D-cut)			5g	
OA-W10M-08	ø7.5 to 8	ø10	M10 P=0.5 (D-cut)			7g	

(※1) Values for Oilproof type.

## ▶ Instructions

① Drill the entry hole according to the specification table.

② Install the CAPCON according to the following instructions.

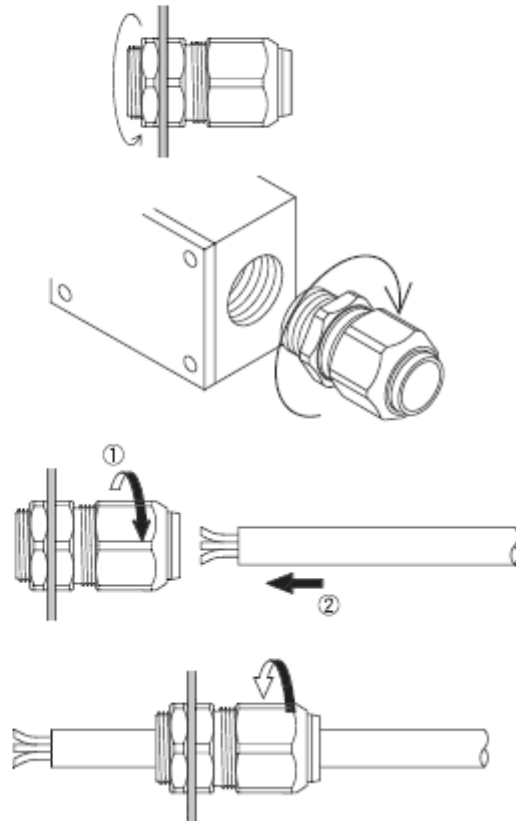
- For Electrical Service Panel Installation
  - Remove and retain the locknut and insert the CAPCON into the entry hole and tighten it from the opposite side using the locknut.
- For pre-threaded holes on Limit Switches etc.
  - Remove the locknut and screw the CAPCON into the threaded hole to fix.

③ Insert the cable

- Loosen the dome nut to put the cable through.

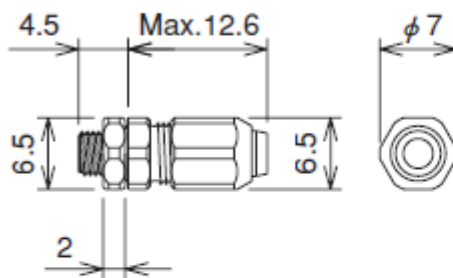
④ Secure the cable

- Tighten the dome nut to fasten cable securely.

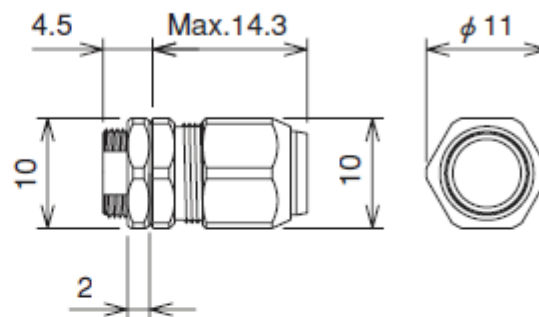


## ▶ Dimensions (in mm)

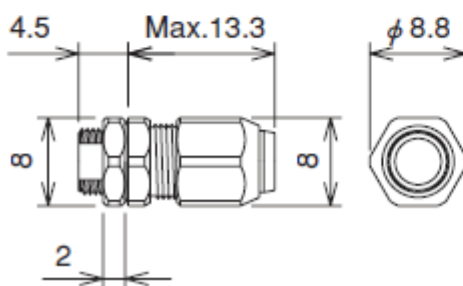
<OA-W04M-25>



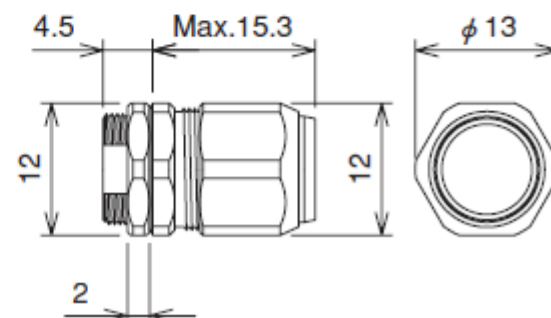
<OA-W08M-06>



<OA-W06M-04>

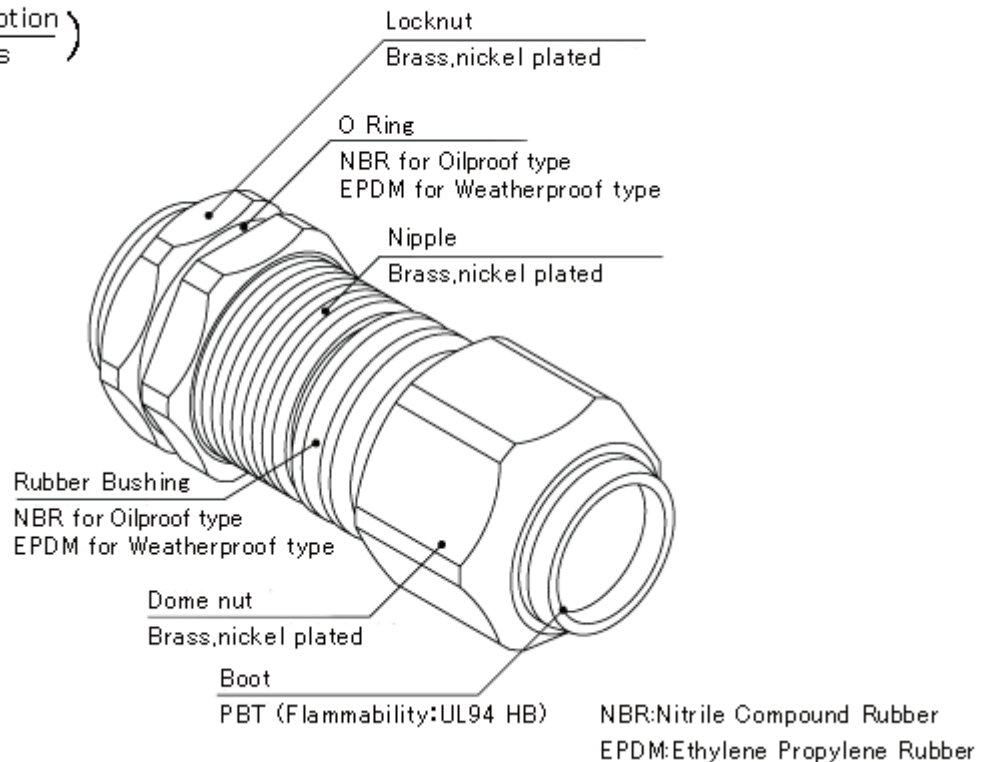


<OA-W10M-08>



## ► Materials

(Part Description)  
Materials



## ► Cautions for use and storage

- ⚠ Read the instruction manual carefully before use for proper usage.
- ⚠ Do not use in oil or water.
- ⚠ Do not use or store these products in the following atmospheres.
  - Any atmosphere which contains strong acids, strong alkaline or organic solvents like chloride ethyl, chloride methyl, cresol, etc.
  - Damp or ozonic atmosphere
    - Oilproof Type (Rubber color : black)
      - Do not expose to direct and continuous sunlight.
      - Suitable for oily environments
        - ※ Weatherproof type is recommended for non-oily places.
    - Weatherproof Type (Rubber color : blue)
      - Avoid using in oily atmosphere
  - For any other special environment conditions, please consult us before usage.