

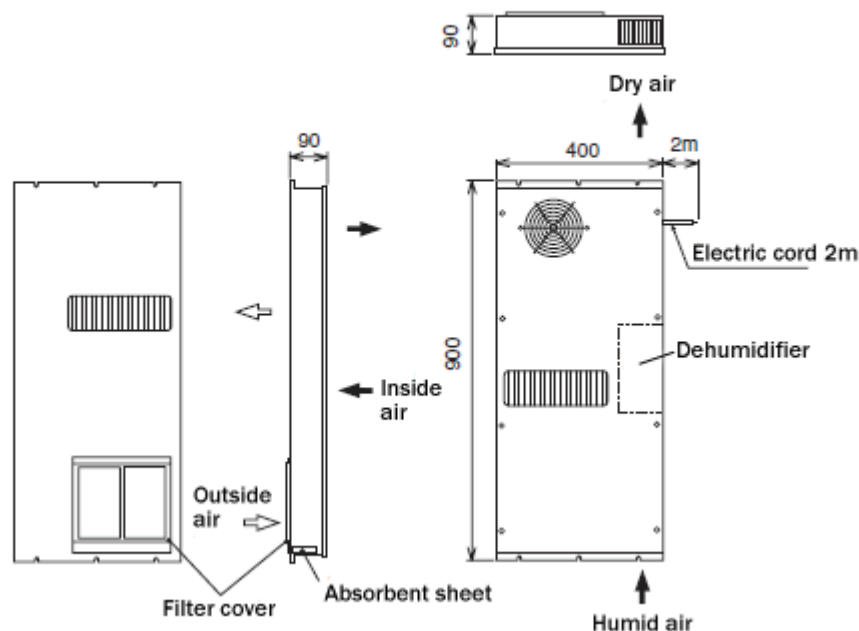
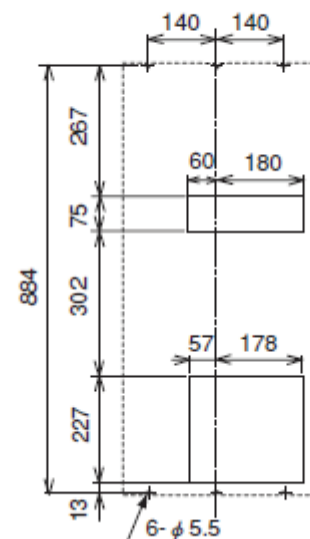
**► Specifications**

Model		OC-251D	OC-252D
Type of mounting		Internal lateral mounting	
Cooling output ※1		20/25 W/K	
Rated voltage ※2		Single phase 100VAC ± 10%	Single phase 200VAC ± 10%
Dehumidification ※3		8 ml/Hr	
Rated current ※4		1.12/1.06A or less	0.59/0.55A or less
Power consumption	E-saving operation ※5	2W	7W
	Dehumidifier only	18W	26W
	Heat exchanger only	75/67W	74/72W
	Heat exchanger + dehumidifier operation	91/83W	93/91W
Working temperature		-20°C to +60°C	
Working humidity		20%RH to 85%RH (Free from condensation)	
Electrical connection		By a power cord	
Safety/Environmental standard		-	
Dimensions (in mm)		W400 × H900 × D90	
Weight		18.0kg	

Rated frequency (50/60Hz)

- ※ 1. Nominal value when the temperature difference between inside and outside the control panel is 20K.
- ※ 2. The voltage fluctuation should be within 10% from the rated value.
- ※ 3. Dehumidifying capacity at 30°C temp and 80% RH.
- ※ 4. Values based on our measurement. (temperature +25°C, humidity 50%RH)
- ※ 5. Both of heat exchanger and dehumidifier, except for the dehumidifier fan, will stop in energy-saving operation mode.

► Models for other voltages are also available on request. Please contact us for the details.

**► Dimensions (in mm)****► Mounting cutout**

## ► Specifications

Model		OC-401D	OC-402D
Type of mounting		Internal lateral mounting	
Cooling output ※1		32/40 W/K	
Rated voltage ※2		Single phase 100VAC ± 10%	Single phase 200VAC ± 10%
Dehumidification ※3		8 ml/Hr	
Rated current ※4		2.06/1.94A or less	1.06/0.96A or less
Power consumption	E-saving operation ※5	2W	7W
	Dehumidifier only	18W	26W
	Heat exchanger only	149/133W	142/138W
	Heat exchanger + dehumidifier operation	165/149W	161/157W
Working temperature		-20°C to +60°C	
Working humidity		20%RH to 85%RH (Free from condensation)	
Electrical connection		By a power cord	
Safety/Environmental standard		-	
Dimensions (in mm)		W540 × H900 × D90	
Weight		25.0kg	

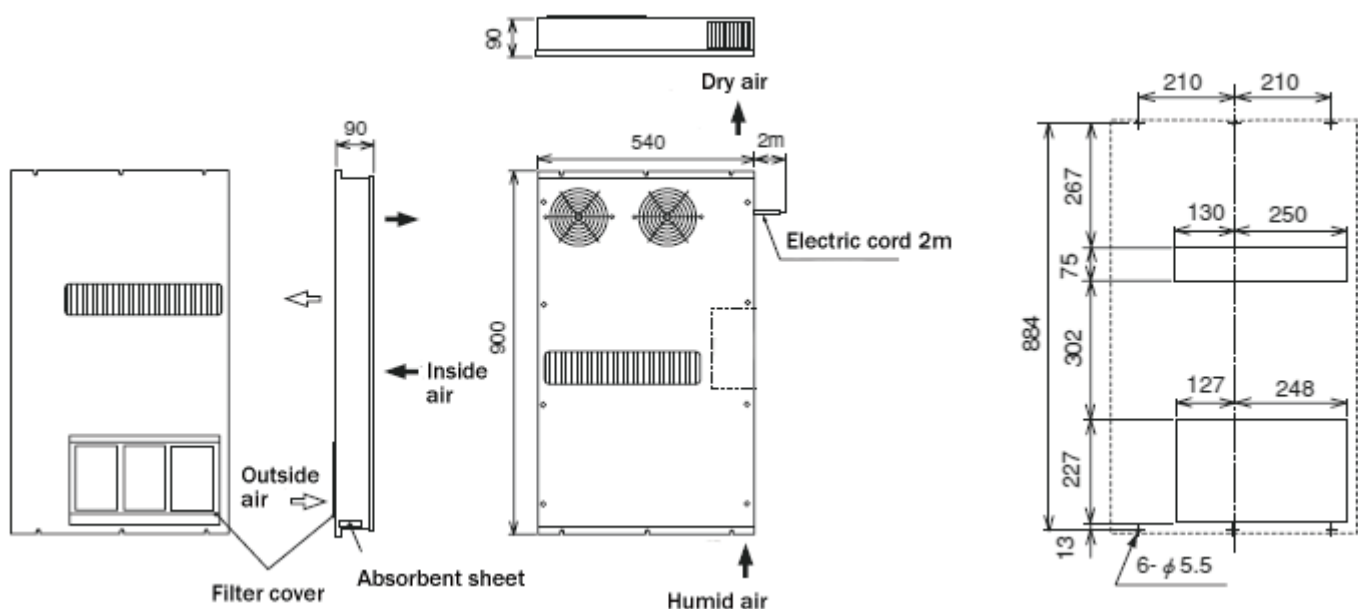
Rated frequency (50/60Hz)

- ※ 1. Nominal value when the temperature difference between inside and outside the control panel is 20K.
- ※ 2. The voltage fluctuation should be within 10% from the rated value.
- ※ 3. Dehumidifying capacity at 30°C temp and 80% RH.
- ※ 4. Values based on our measurement. (temperature +25°C, humidity 50%RH)
- ※ 5. Both of heat exchanger and dehumidifier, except for the dehumidifier fan, will stop in energy-saving operation mode.

► Models for other voltages are also available on request. Please contact us for the details.

## ► Dimensions (in mm)

## ► Mounting cutout



## Dry OC-251DS/OC-252DS

## ► Specifications

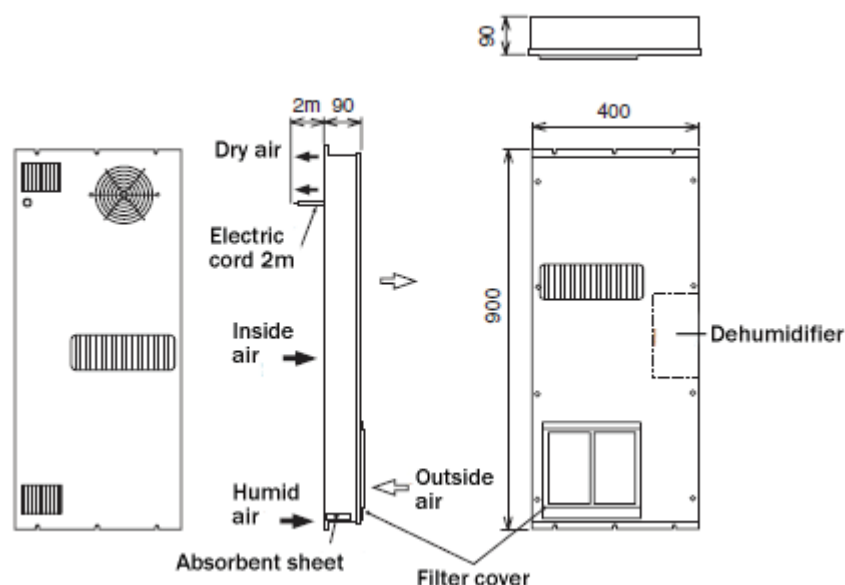
Model		OC-251DS	OC-252DS
Type of mounting		External lateral mounting	
Cooling output ※1		20/25 W/K	
Rated voltage ※2		Single phase 100VAC ± 10%	Single phase 200VAC ± 10%
Dehumidification ※3		8 ml/Hr	
Rated current ※4		1.12/1.06A or less	0.59/0.55A or less
Power consumption	E-saving operation ※5	2W	7W
	Dehumidifier only	18W	26W
	Heat exchanger only	75/67W	74/72W
	Heat exchanger + dehumidifier operation	91/83W	93/91W
Working temperature		-20°C to +60°C	
Working humidity		20%RH to 85%RH (Free from condensation)	
Electrical connection		By a power cord	
Safety/Environmental standard		-	
Dimensions (in mm)		W400 × H900 × D90	
Weight		18.0kg	

Rated frequency (50/60Hz)

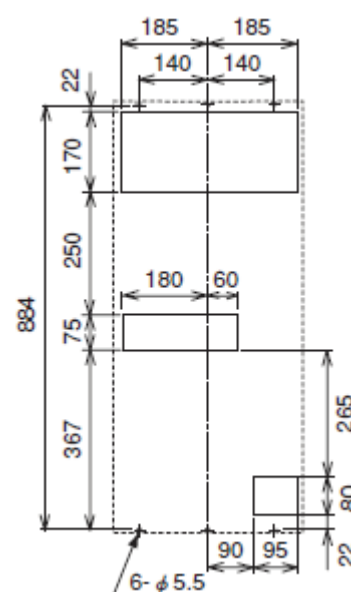
- ※ 1. Nominal value when the temperature difference between inside and outside the control panel is 20K.
- ※ 2. The voltage fluctuation should be within 10% from the rated value.
- ※ 3. Duhumidifying capacity at 30°C temp and 80% RH.
- ※ 4. Values based on our measurement. (temperature +25°C, humidity 50%RH)
- ※ 5. Both of heat exchanger and dehumidifier, except for the dehumidifier fan, will stop in energy-saving operation mode.

► Models for other voltages are also available on request. Please contact us for the details.

## ► Dimensions (in mm)



## ► Mounting cutout



## Dry OC-401DS/OC-402DS

## ► Specifications

Model		OC-401DS	OC-402DS
Type of mounting		External lateral mounting	
Cooling output ※1		32/40 W/K	
Rated voltage ※2		Single phase 100VAC± 10%	Single phase 200VAC± 10%
Dehumidification ※3		8 ml/Hr	
Rated current ※4		2.06/1.94A or less	1.06/0.96A or less
Power consumption	E-saving operation ※5	2W	7W
	Dehumidifier only	18W	26W
	Heat exchanger only	149/133W	142/138W
	Heat exchanger + dehumidifier operation	165/149W	161/157W
Working temperature		-20°C to +60°C	
Working humidity		20%RH to 85%RH (Free from condensation)	
Electrical connection		By a power cord	
Safety/Environmental standard		-	
Dimensions (in mm)		W540 × H900 × D90	
Weight		25.0kg	

Rated frequency (50/60Hz)

- ※ 1. Nominal value when the temperature difference between inside and outside the control panel is 20K.
- ※ 2. The voltage fluctuation should be within 10% from the rated value.
- ※ 3. Dehumidifying capacity at 30°C temp and 80% RH.
- ※ 4. Values based on our measurement. (temperature +25°C, humidity 50%RH)
- ※ 5. Both of heat exchanger and dehumidifier, except for the dehumidifier fan, will stop in energy-saving operation mode.

► Models for other voltages are also available on request. Please contact us for the details.

## ► Dimensions (in mm)

## ► Mounting cutout

